

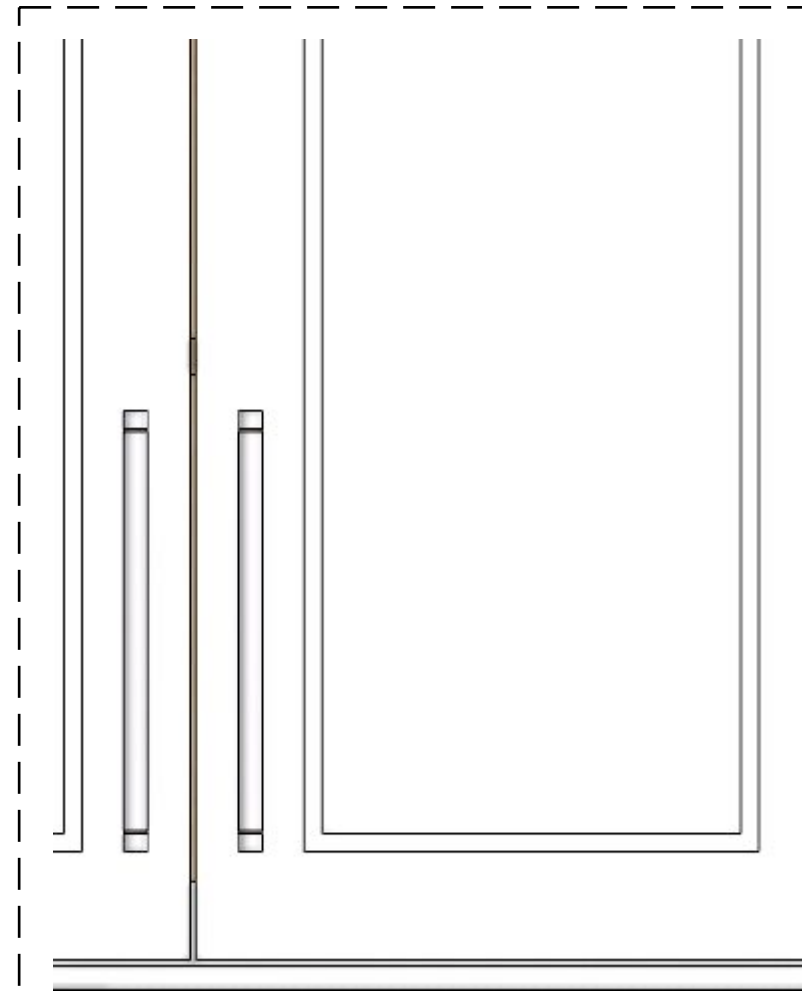
KITCHEN

- PROTECT WORK AREA AND WALKWAY TO WORK AREA
- DEMO EXISTING FINISHES AND NON BEARING WALLS
- FRAME NEW WALLS
- MODIFY PLUMBING
- MODIFY ELECTRICAL
- MODIFY HVAC
- INSTALL NEW CLIENT SUPPLIED TILE FLOORING WHERE WALLS WERE REMOVED OR CABINET FOOT PRINT IS MODIFIED
- SUPPLY AND INSTALL NEW BACKSPLASH T.B.D.
- SUPPLY AND INSTALL NEW DECORATIVE HOOD T.B.D.
- SUPPLY AND INSTALL CUSTOM T.B.D. PAINT GRADE/STAIN GRADE CABINETRY PENDING APPROVED DRAWINGS
- T.B.D. FURNITURE GRADE FINISH TO BE A LOW SHEEN
- SUPPLY AND INSTALL NEW COUNTER TOP T.B.D.
- SUPPLY AND INSTALL NEW BASE BOARD
- PATCH AND PAINT WALLS, CEILING & TRIM

- ALL ELECTRICAL IS PENDING REVISION
- ALL PLUMBING IS PENDING REVISION
- ALL HVAC IS PENDING REVISION

NOT INCLUDED IN PRICING AND/OR PROVIDED BY OTHERS:

- PERMITTING
- INSULATION
- FLOORING SUPPLY
- DECORATIVE LIGHTING FIXTURES
- DECORATIVE HARDWARE
- INTERIOR DOORS
- DOOR HARDWARE
- TRENCHING & CONCRETE
- MOVING AND STORAGE OF PERSONAL ITEMS AND FURNITURE
- APPLIANCES SUPPLY AND INSTALL
- CUSTOM BANQUETTE



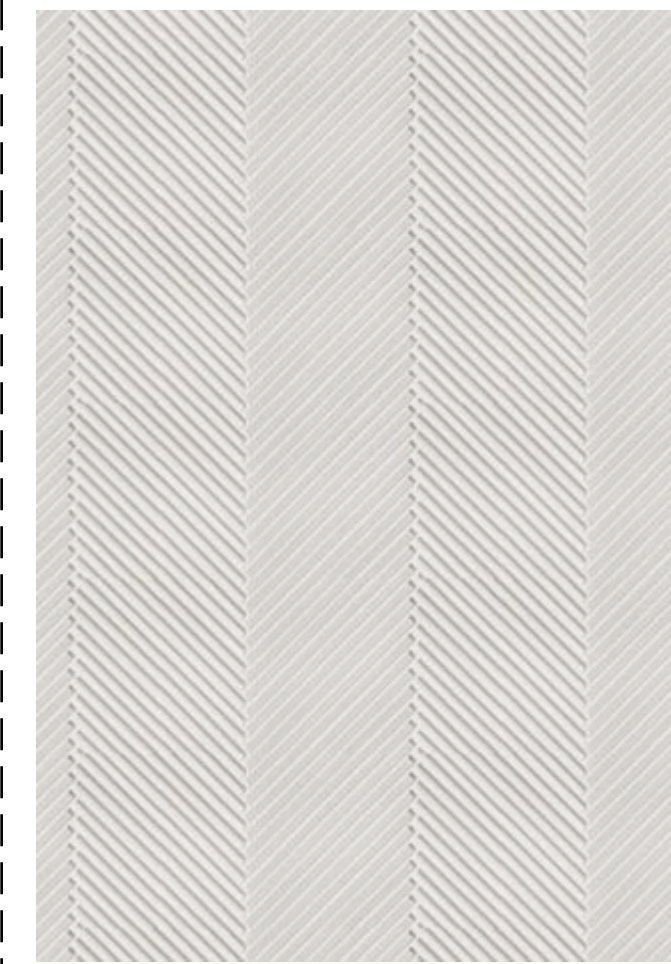
DOOR PROFILE:
DOUBLE STEP SHAKER
SPECIES:
Hybrid Solid Maple + MDF (PAINT GRADE)
COLOR:
OC 117 - SIMPLY WHITE

COLOR LINK



WOOD ACCENT:
HOOD / ISLAND PANELS / BAR / WORK DESK / FIREPLACE BUILT-IN
SPECIES:
RIFT WHITE OAK - WHIT WASHED + CERUSED (PAINT GRADE)

STAIN COLOR TO MATCH SAMPLE*



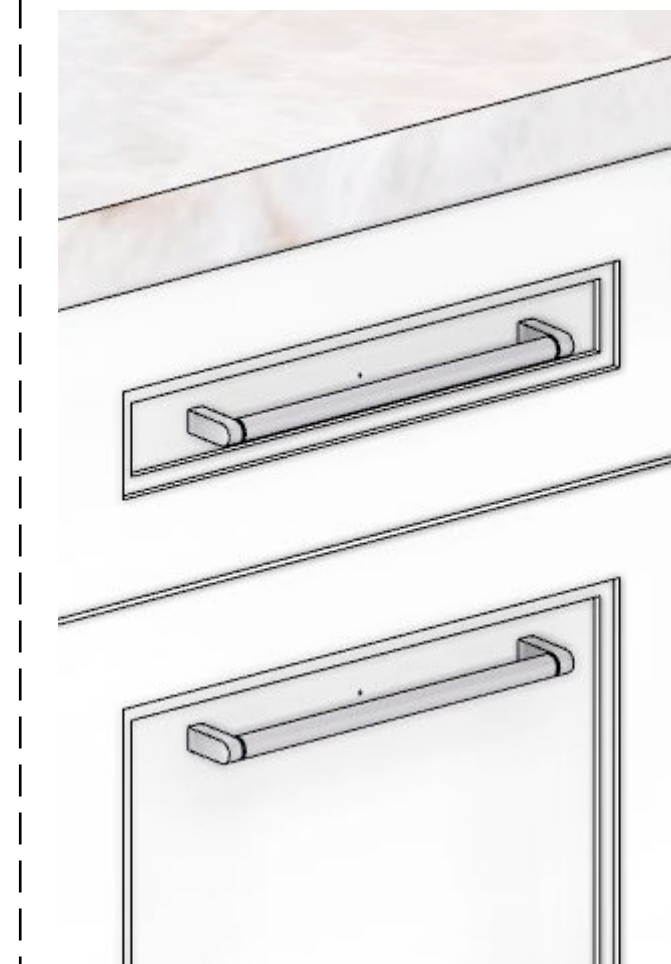
BACKSPLASH:
ASTORIA FLUTE HERRINGBONE
BERGAMOT SILK
GROUT:
SLIGHT LIGHTER THAN TILE

TBD ACCORDING PRICE*



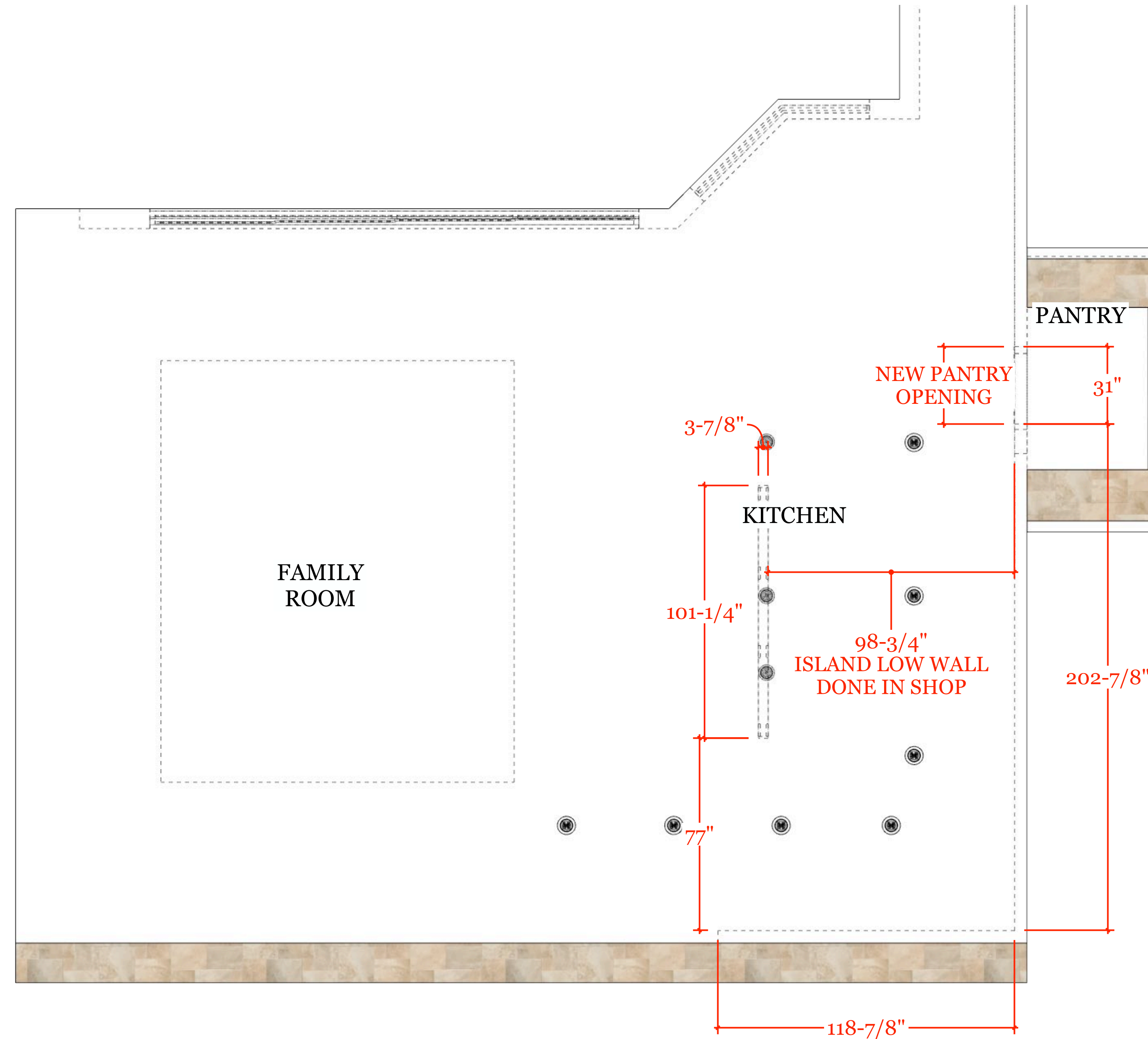
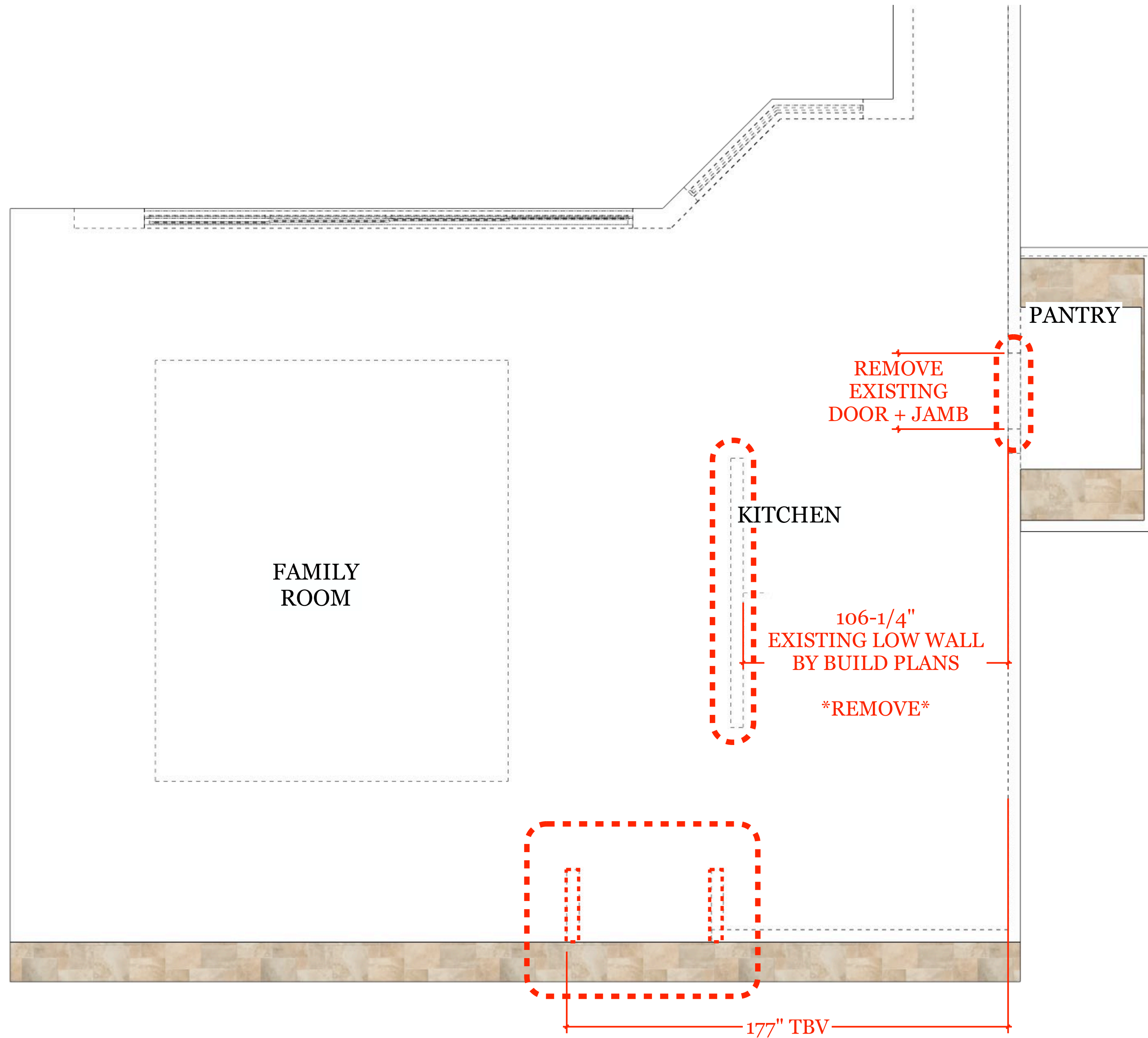
COUNTERTOP:
2CM CRISTALLO (OR SIMILAR)
EDGE:
SQUARE / MITER 2" THICK

TBD ACCORDING PRICE*



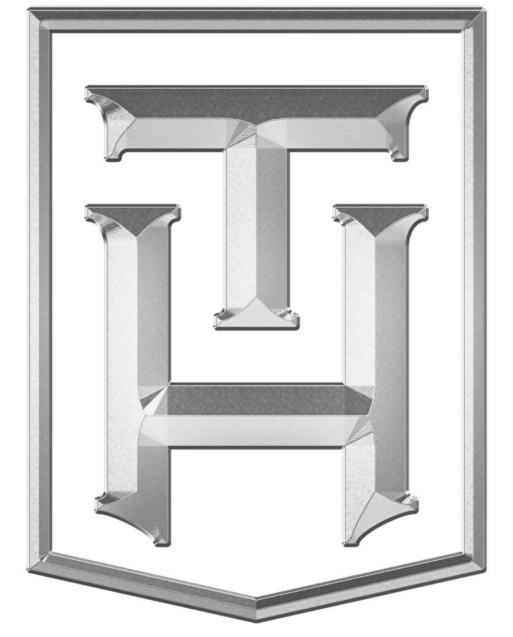
DECORATIVE HARDWARE:
HOLAND 8-13/15"
BRUSHED SATIN NICKEL
+
HONEY BRONZE (AT BAR)

TOP KNOB AMWELL



FLOOR PLAN (FRAME ONLY) EXISTING - (- - - TO BE MODIFIED)

FLOOR PLAN (FRAME ONLY) PROPOSED



TRULY HANDY

28280 Old 41 Rd, Unit M7
Bonita Springs, FL, 34135
Tel: 239-221-9151

QUILTY RESIDENCE

CLIENT
Patricia Quilty
8610 Cavano St
Naples, FL, 34119

DESIGNER
Eduardo Beluco
eduardo@trulyhandyllc.com

PROJECT
KITCHEN REMODELING

NOTES:

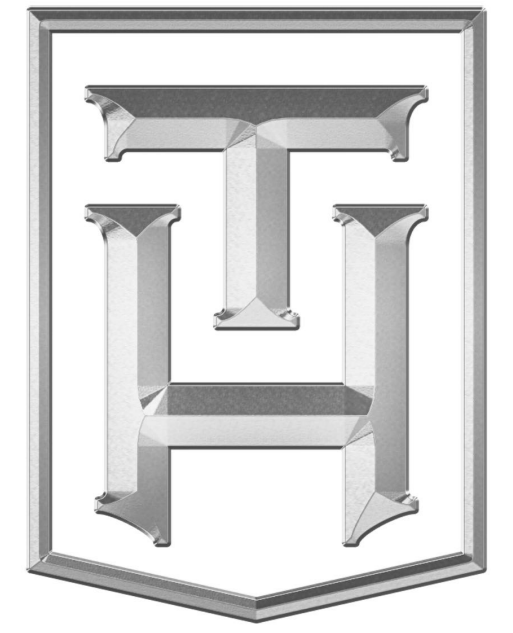
3D MODEL LINK

DATE: 01/15/26

APPROVAL STATUS:
APPROVED

SCHEDULING DISCLAIMER:
All preliminary schedules are created based on approved drawings. Schedules will be automatically adjusted to reflect the final approval date. We will notify everyone of the updated timeline as soon as available. Any delays in the approval of drawings and finishes will potentially delay the project delivery / install date.

Truly Handy LLC makes no representation or warranties, express or implied, with respect to the reuse of the data provided herewith, regardless of its format or the means of its transmission. There is no guarantee or representation to the user as to the accuracy, currency, suitability or reliability of this data for any purpose. The user accepts the data "as is", and assumes all risks associated with its use. By acceptance of this data, the user agrees not to transmit this data or provide access of any part of it to another party unless the user shall include with the data a copy of this disclaimer. Truly Handy LLC assumes no responsibility for actual or consequential damage incurred as a result of any user's reliance on this data. Final engineering subject to change without notice.



**TRULY
HANDY**

28280 Old 41 Rd, Unit M7
Bonita Springs, FL, 34135
Tel: 239-221-9151

**QUILTY
RESIDENCE**

CLIENT
Patricia Quilty
8610 Cavano St
Naples, FL, 34119

DESIGNER
Eduardo Beluco
eduardo@trulyhandyllc.com

PROJECT
KITCHEN

NOTES:

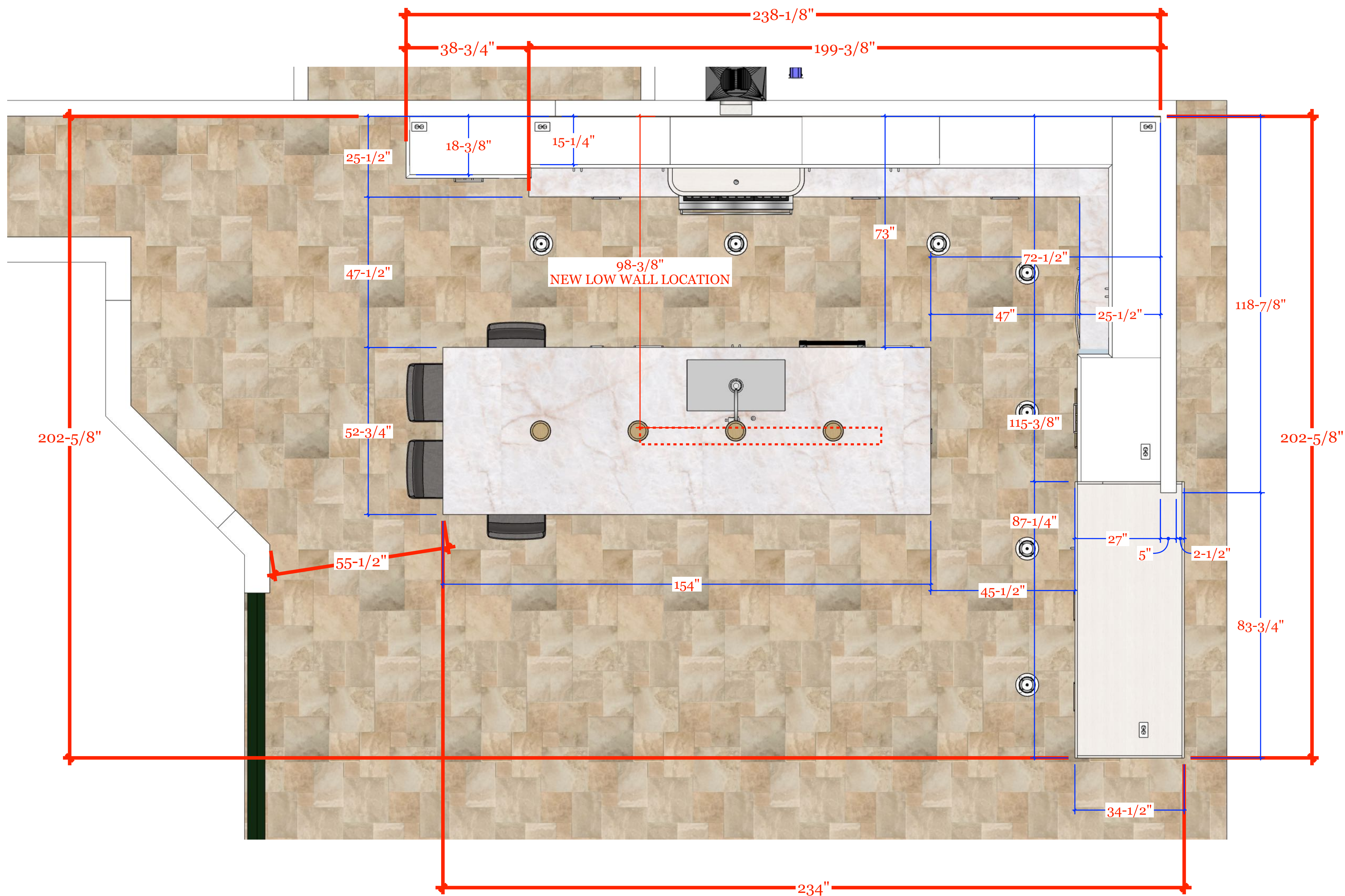
3D MODEL LINK

DATE: 01/15/26

APPROVAL STATUS:
APPROVED

SCHEDULING DISCLAIMER:
All preliminary schedules are created based on approved drawings. Schedules will be automatically adjusted to reflect the final approval date.
We will notify everyone of the updated timeline as soon as available. Any delays in the approval of drawings and finishes will potentially delay the project delivery / install date.

Truly Handy LLC makes no representation or warranties, express or implied, with respect to the reuse of the data provided herewith, regardless of its format or the means of its transmission. There is no guarantee or representation to the user as to the accuracy, currency, suitability or reliability of this data for any purpose. The user accepts the data "as is", and assumes all risks associated with its use. By acceptance of this data, the user agrees not to transmit this data or provide access or any part of it to another party unless the user shall include with the data a copy of this disclaimer. Truly Handy LLC assumes no responsibility for actual or consequential damage incurred as a result of any user's reliance on this data. Final engineering subject to change without notice.

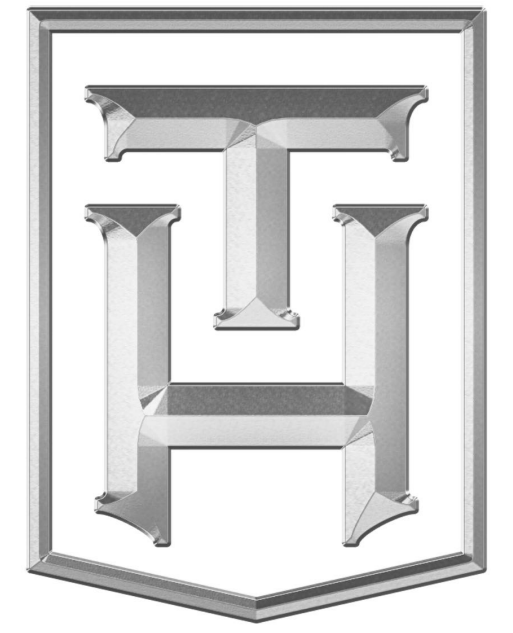
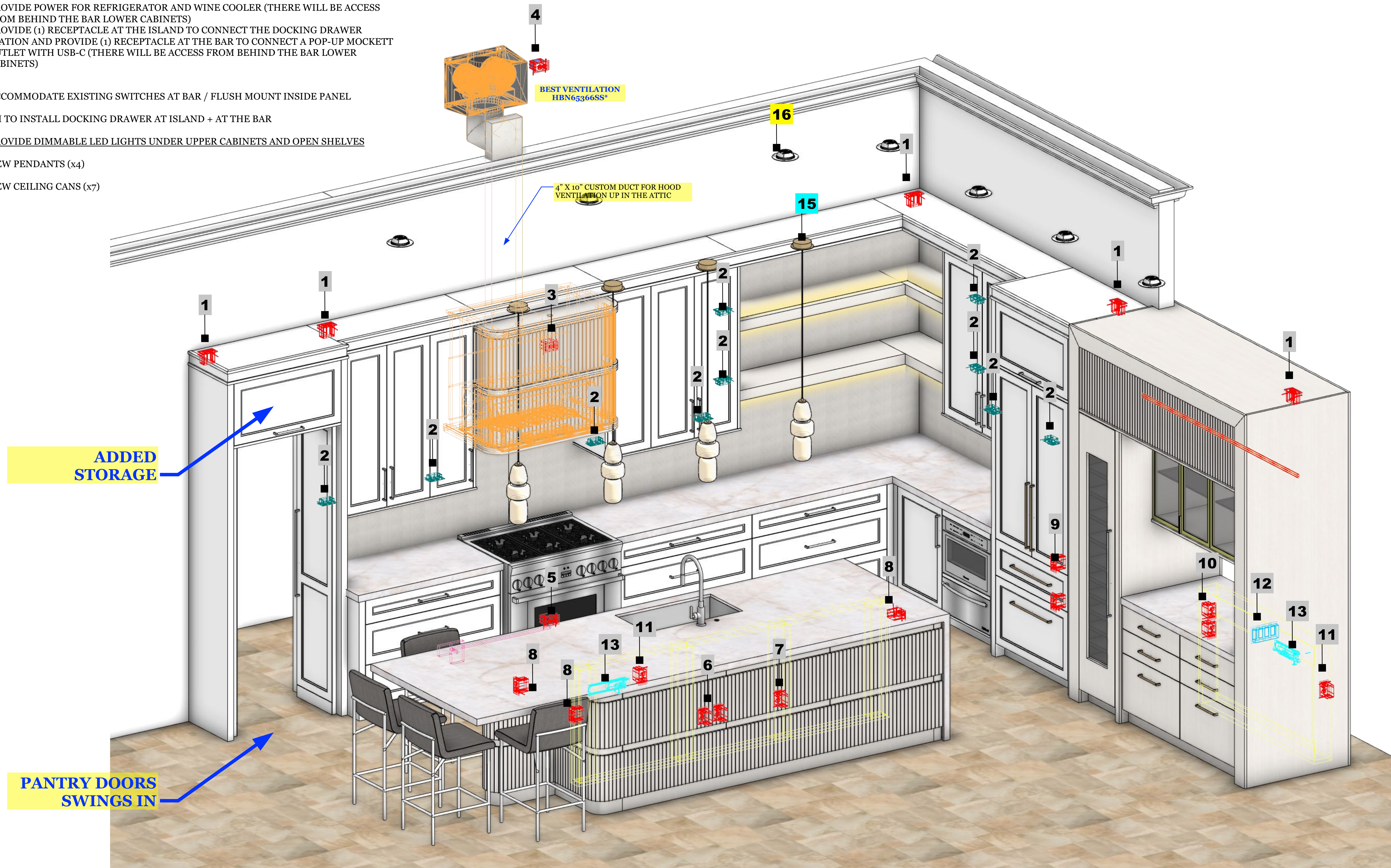


KITCHEN - PROPOSED NEW CABINETRY - PLAN VIEW

ELECTRICAL

- (1) - PROVIDE (5) RECEPTACLES ABOVE CABINERY (TOP PANEL FLUSH MOUNTED)
- (2) - PROVIDE (6) **LOW PROFILE** RECEPTACLES UNDER UPPER CABINETS AND (4) ABOVE OPEN SHELVES (FLUSH MOUNTED)
- (3) - PROVIDE POWER FOR HOOD
- (4) - PROVIDE POWER FOR VENTILATION (ATTIC)
- (5) - PROVIDE POWER FOR RANGE
- (6) - PROVIDE (2) RECEPTACLES INSIDE SINK CABINET (DISPOSAL + FILTER)
- (7) - PROVIDE POWER FOR DISHWASHER
- (8) - PROVIDE (1) RECEPTACLE AT ISLAND WATERFALL SIDE (CENTERED) AND (2) AT SITTING AREA UNDER THE COUNTERTOP
- (9) - PROVIDE POWER FOR MICROWAVE AND WARMING DRAWER
- (10) - PROVIDE POWER FOR REFRIGERATOR AND WINE COOLER (THERE WILL BE ACCESS FROM BEHIND THE BAR LOWER CABINETS)
- (11) - PROVIDE (1) RECEPTACLE AT THE ISLAND TO CONNECT THE DOCKING DRAWER STATION AND PROVIDE (1) RECEPTACLE AT THE BAR TO CONNECT A POP-UP MCKETT OUTLET WITH USB-C (THERE WILL BE ACCESS FROM BEHIND THE BAR LOWER CABINETS)

- (12) - ACCOMMODATE EXISTING SWITCHES AT BAR / FLUSH MOUNT INSIDE PANEL
- (13) - TH TO INSTALL DOCKING DRAWER AT ISLAND + AT THE BAR
- (14) - PROVIDE DIMMABLE LED LIGHTS UNDER UPPER CABINETS AND OPEN SHELVES
- (15) - NEW PENDANTS (x4)
- (16) - NEW CEILING CANS (x7)



**TRULY
HANDY**

28280 Old 41 Rd, Unit M7
Bonita Springs, FL, 34135
Tel: 239-221-9151

QUILTY RESIDENCE

CLIENT
Patricia Quilty
8610 Cavano St
Naples, FL, 34119

DESIGNER
Eduardo Beluco
eduardo@trulyhandyllc.com

PROJECT
KITCHEN

NOTES:

3D MODEL LINK

DATE: 01/15/26

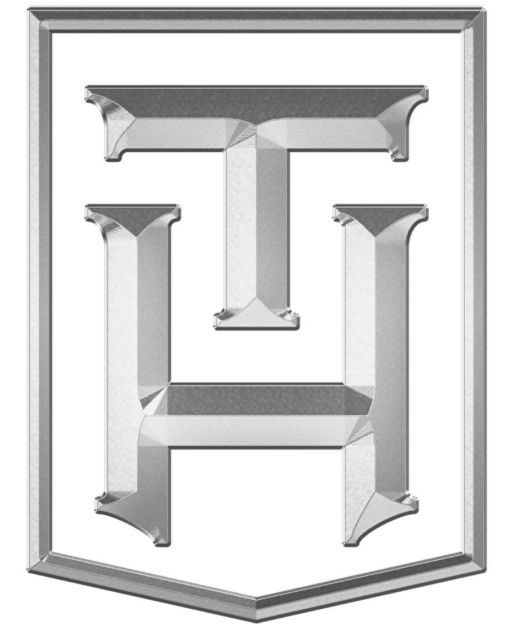
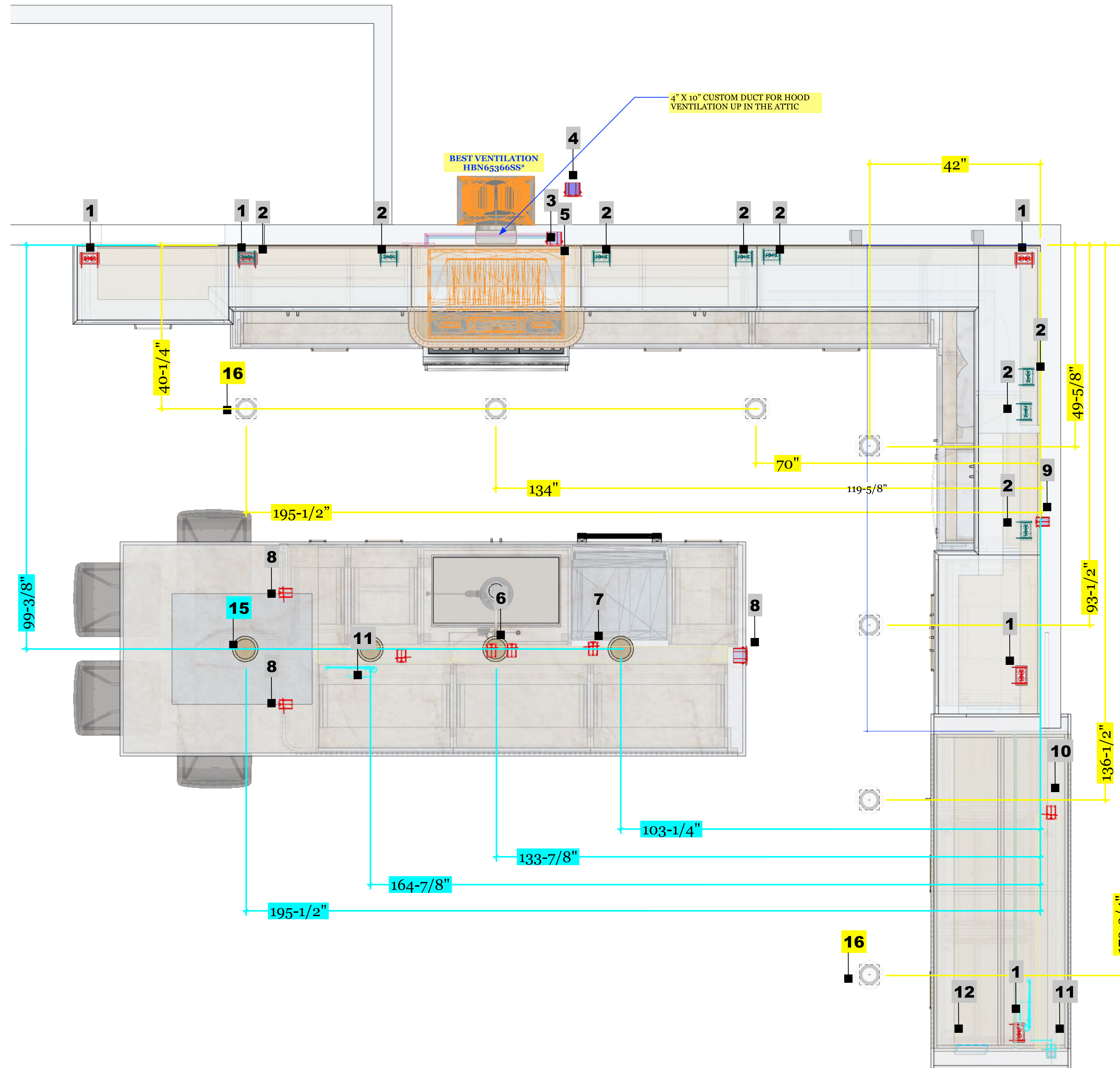
APPROVAL STATUS:
APPROVED

SCHEDULING DISCLAIMER:
All preliminary schedules are created based on approved drawings. Schedules will be automatically adjusted to reflect the final approval date.
We will notify everyone of the updated timeline as soon as available. Any delays in the approval of drawings and finishes will potentially delay the project delivery / install date.

Truly Handy LLC makes no representation or warranties, express or implied, with respect to the reuse of the data provided herewith, regardless of its format or the means of its transmission. There is no guarantee or representation to the user as to the accuracy, currency, suitability or reliability of this data for any purpose. The user accepts the data "as is", and assumes all risks associated with its use. By acceptance of this data, the user agrees not to transmit this data or provide access of any part of it to another party unless the user shall include with the data a copy of this disclaimer. Truly Handy LLC assumes no responsibility for actual or consequential damage incurred as a result of any user's reliance on this data. Final engineering subject to change without notice.

ELECTRICAL

- (1) - PROVIDE (5) RECEPTACLES ABOVE CABINERY (TOP PANEL FLUSH MOUNTED)
- (2) - PROVIDE (6) **LOW PROFILE** RECEPTACLES UNDER UPPER CABINETS AND (4) ABOVE OPEN SHELVES (FLUSH MOUNTED)
- (3) - PROVIDE POWER FOR HOOD
- (4) - PROVIDE POWER FOR VENTILATION (ATTIC)
- (5) - PROVIDE POWER FOR RANGE
- (6) - PROVIDE (2) RECEPTACLES INSIDE SINK CABINET (DISPOSAL + FILTER)
- (7) - PROVIDE POWER FOR DISHWASHER
- (8) - PROVIDE (1) RECEPTACLE AT ISLAND WATERFALL SIDE (CENTERED) AND (2) AT SITTING AREA UNDER THE COUNTERTOP
- (9) - PROVIDE POWER FOR MICROWAVE AND WARMING DRAWER
- (10) - PROVIDE POWER FOR REFRIGERATOR AND WINE COOLER (THERE WILL BE ACCESS FROM BEHIND THE BAR LOWER CABINETS)
- (11) - PROVIDE (1) RECEPTACLE AT THE ISLAND TO CONNECT THE DOCKING DRAWER STATION AND PROVIDE (1) RECEPTACLE AT THE BAR TO CONNECT A POP-UP MCKETT OUTLET WITH USB-C (THERE WILL BE ACCESS FROM BEHIND THE BAR LOWER CABINETS)
- (12) - ACCOMMODATE EXISTING SWITCHES AT BAR / FLUSH MOUNT INSIDE PANEL
- (13) - TH TO INSTALL DOCKING DRAWER AT ISLAND + AT THE BAR
- (14) - PROVIDE DIMMABLE LED LIGHTS UNDER UPPER CABINETS AND OPEN SHELVES
- (15) - NEW PENDANTS (x4)
- (16) - NEW CEILING CANS (x7)



**TRULY
HANDY**

28280 Old 41 Rd, Unit M7
Bonita Springs, FL, 34135
Tel: 239-221-9151

**QUILTY
RESIDENCE**

CLIENT
Patricia Quilty
8610 Cavano St
Naples, FL, 34119

DESIGNER
Eduardo Beluco
eduardo@trulyhandyllc.com

PROJECT
KITCHEN

NOTES:

3D MODEL LINK

DATE: 01/15/26

APPROVAL STATUS:
APPROVED

SCHEDULING DISCLAIMER:
All preliminary schedules are created based on approved drawings. Schedules will be automatically adjusted to reflect the final approval date. We will notify everyone of the updated timeline as soon as available. Any delays in the approval of drawings and finishes will potentially delay the project delivery / install date.

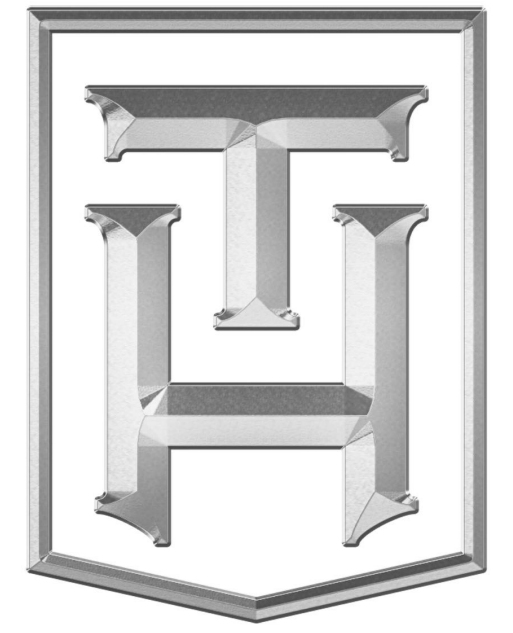
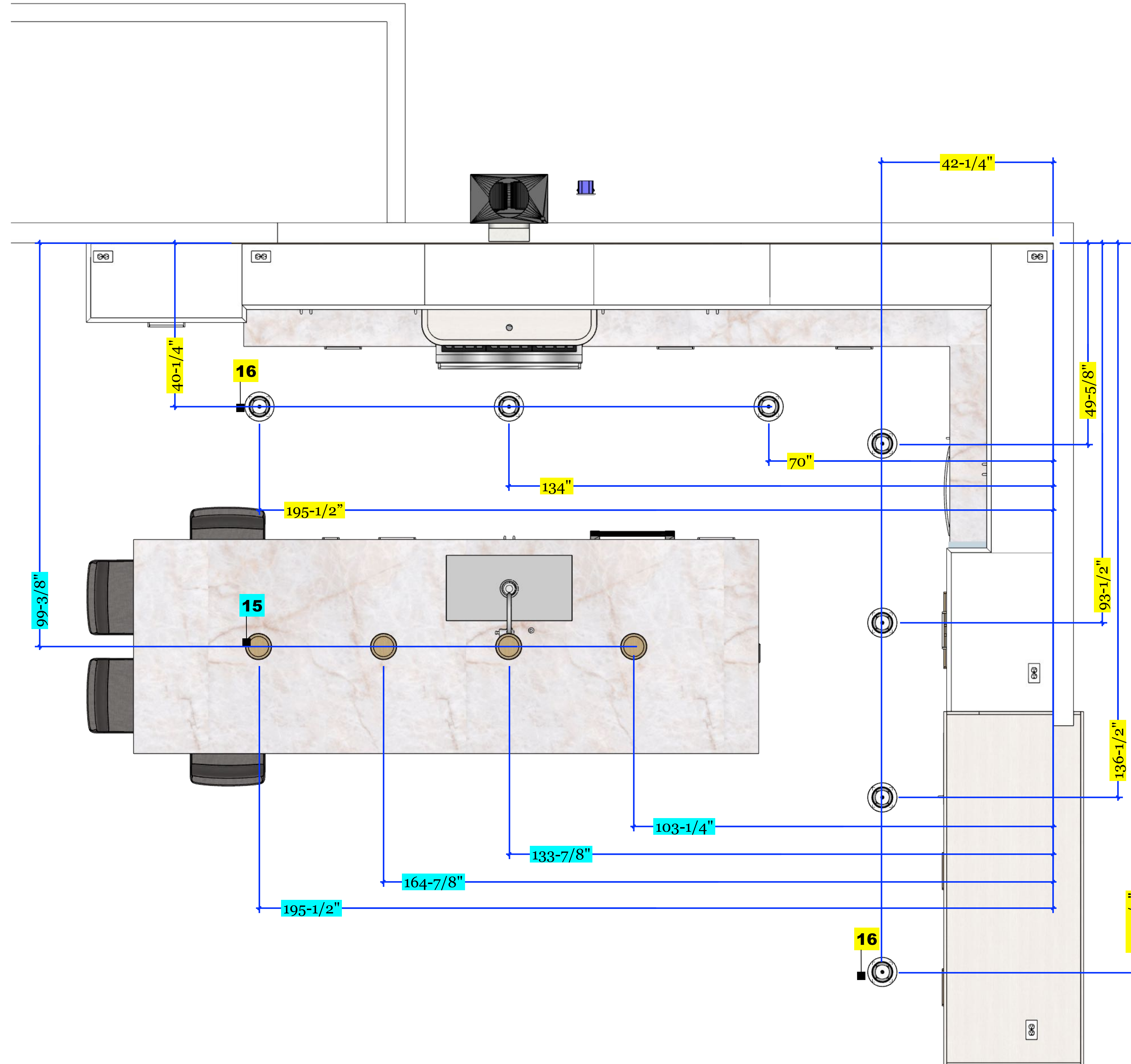
Truly Handy LLC makes no representation or warranties, express or implied, with respect to the reuse of the data provided herewith, regardless of its format or the means of its transmission. There is no guarantee or representation to the user as to the accuracy, currency, suitability or reliability of this data for any purpose. The user accepts the data "as is", and assumes all risks associated with its use. By acceptance of this data, the user agrees not to transmit this data or provide access of any part of it to another party unless the user shall include with the data a copy of this disclaimer. Truly Handy LLC assumes no responsibility for actual or consequential damage incurred as a result of any user's reliance on this data. Final engineering subject to change without notice.

ELECTRICAL

CEILING LIGHTS LAYOUT

(15) - NEW PENDANTS (x4) **SOJI LED 4.75 INCH BLACK AND GOLD***

(16) - NEW CEILING CANS (x7)



**TRULY
HANDY**

28280 Old 41 Rd, Unit M7
Bonita Springs, FL, 34135
Tel: 239-221-9151

**QUILTY
RESIDENCE**

CLIENT
Patricia Quilty
8610 Cavano St
Naples, FL, 34119

DESIGNER
Eduardo Beluco
eduardo@trulyhandyllc.com

PROJECT
KITCHEN

NOTES:

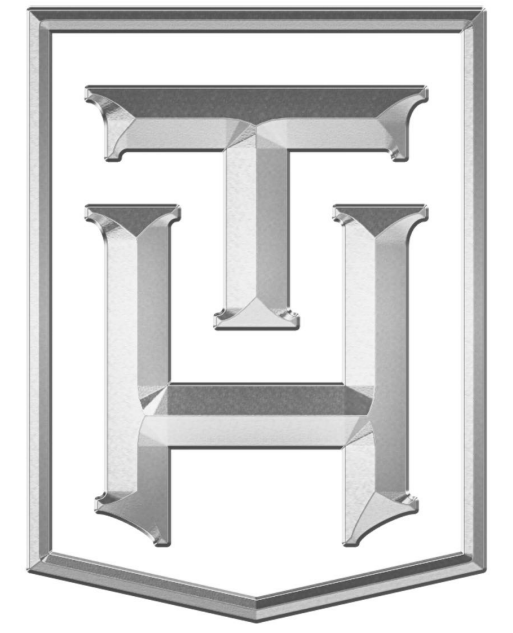
3D MODEL LINK

DATE: 01/15/26

APPROVAL STATUS:
APPROVED

SCHEDULING DISCLAIMER:
All preliminary schedules are created based on approved drawings. Schedules will be automatically adjusted to reflect the final approval date.
We will notify everyone of the updated timeline as soon as available. Any delays in the approval of drawings and finishes will potentially delay the project delivery / install date.

Truly Handy LLC makes no representation or warranties, express or implied, with respect to the reuse of the data provided herewith, regardless of its format or the means of its transmission. There is no guarantee or representation to the user as to the accuracy, currency, suitability or reliability of this data for any purpose. The user accepts the data "as is", and assumes all risks associated with its use. By acceptance of this data, the user agrees not to transmit this data or provide access or any part of it to another party unless the user shall include with the data a copy of this disclaimer. Truly Handy LLC assumes no responsibility for actual or consequential damage incurred as a result of any user's reliance on this data. Final engineering subject to change without notice.



**TRULY
HANDY**

28280 Old 41 Rd, Unit M7
Bonita Springs, FL, 34135
Tel: 239-221-9151

QUILTY RESIDENCE

CLIENT
Patricia Quilty
8610 Cavano St
Naples, FL, 34119

DESIGNER
Eduardo Beluco
eduardo@trulyhandyllc.com

PROJECT
KITCHEN

NOTES:

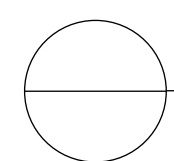
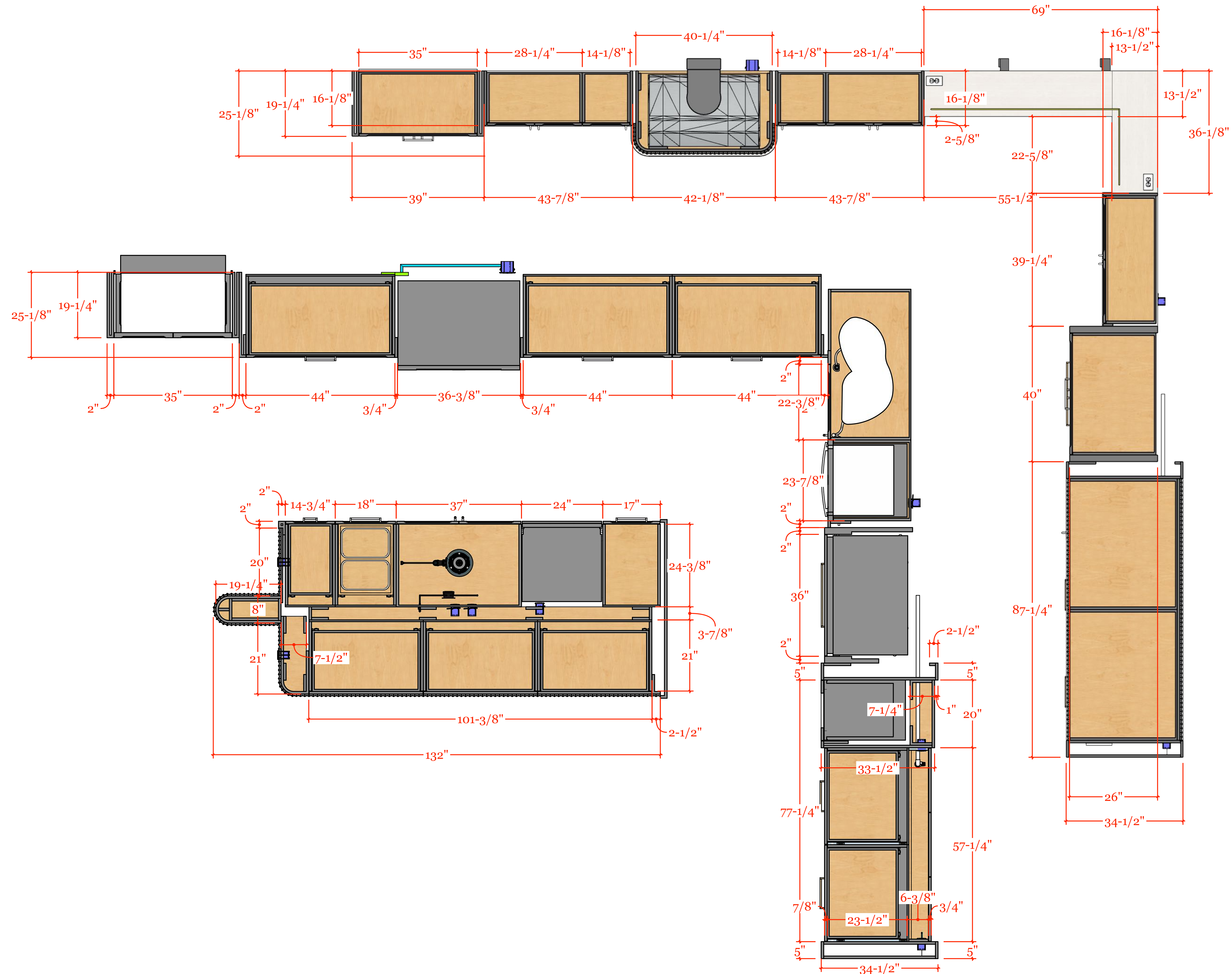
3D MODEL LINK

DATE: 01/15/26

APPROVAL STATUS:
APPROVED

SCHEDULING DISCLAIMER:
All preliminary schedules are created based on approved drawings. Schedules will be automatically adjusted to reflect the final approval date. We will notify everyone of the updated timeline as soon as available. Any delays in the approval of drawings and finishes will potentially delay the project delivery / install date.

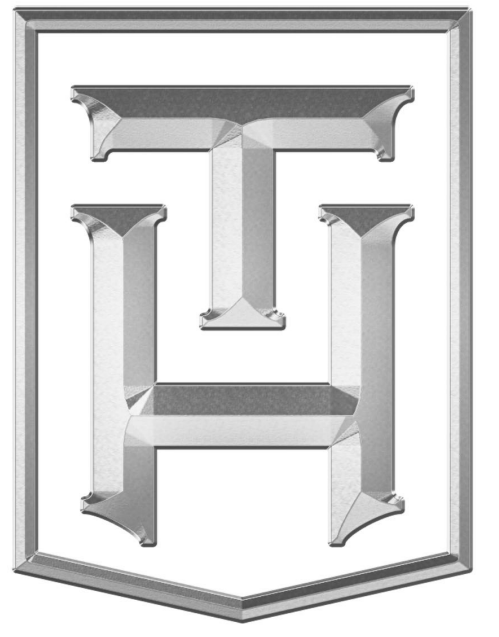
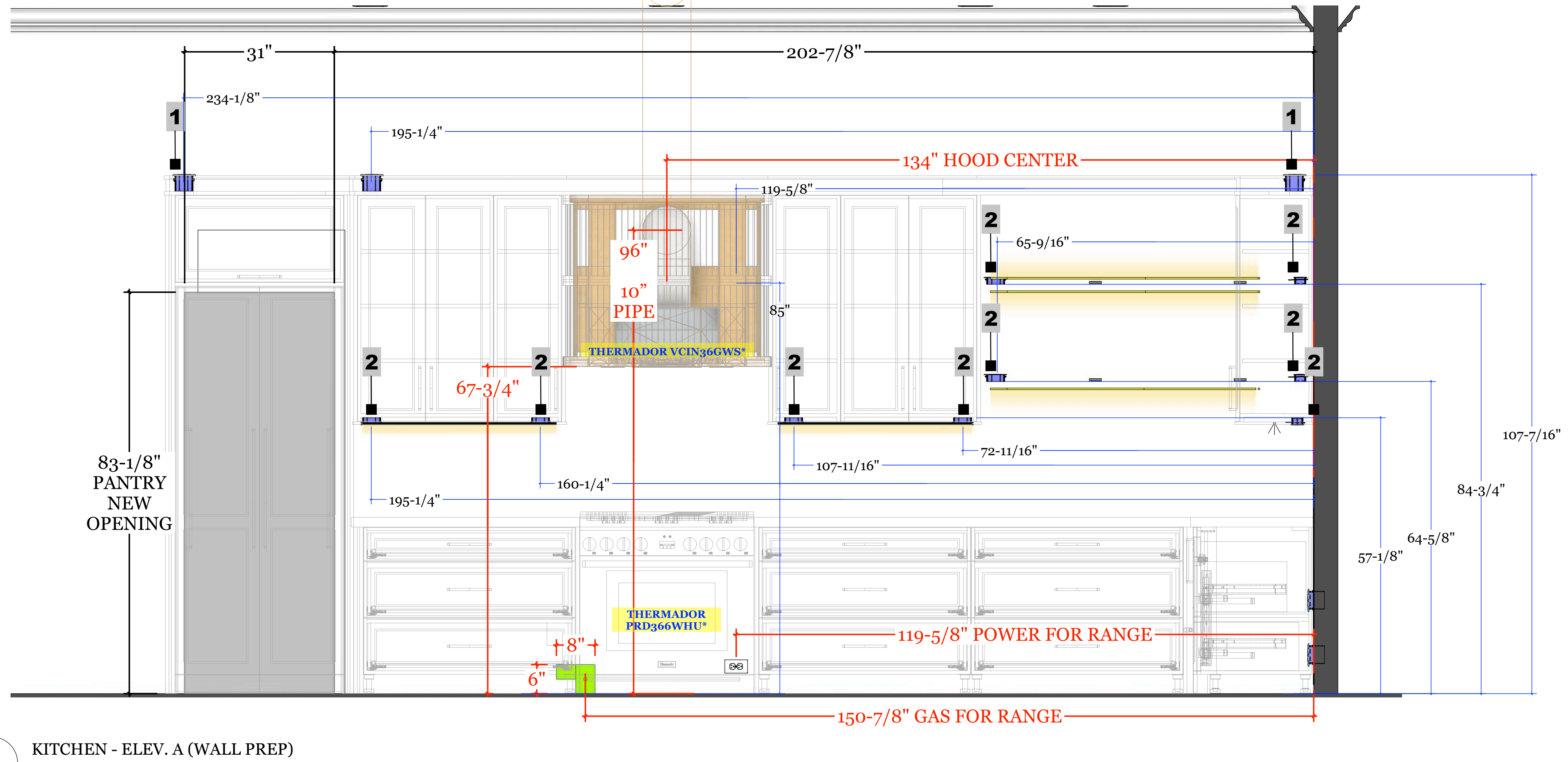
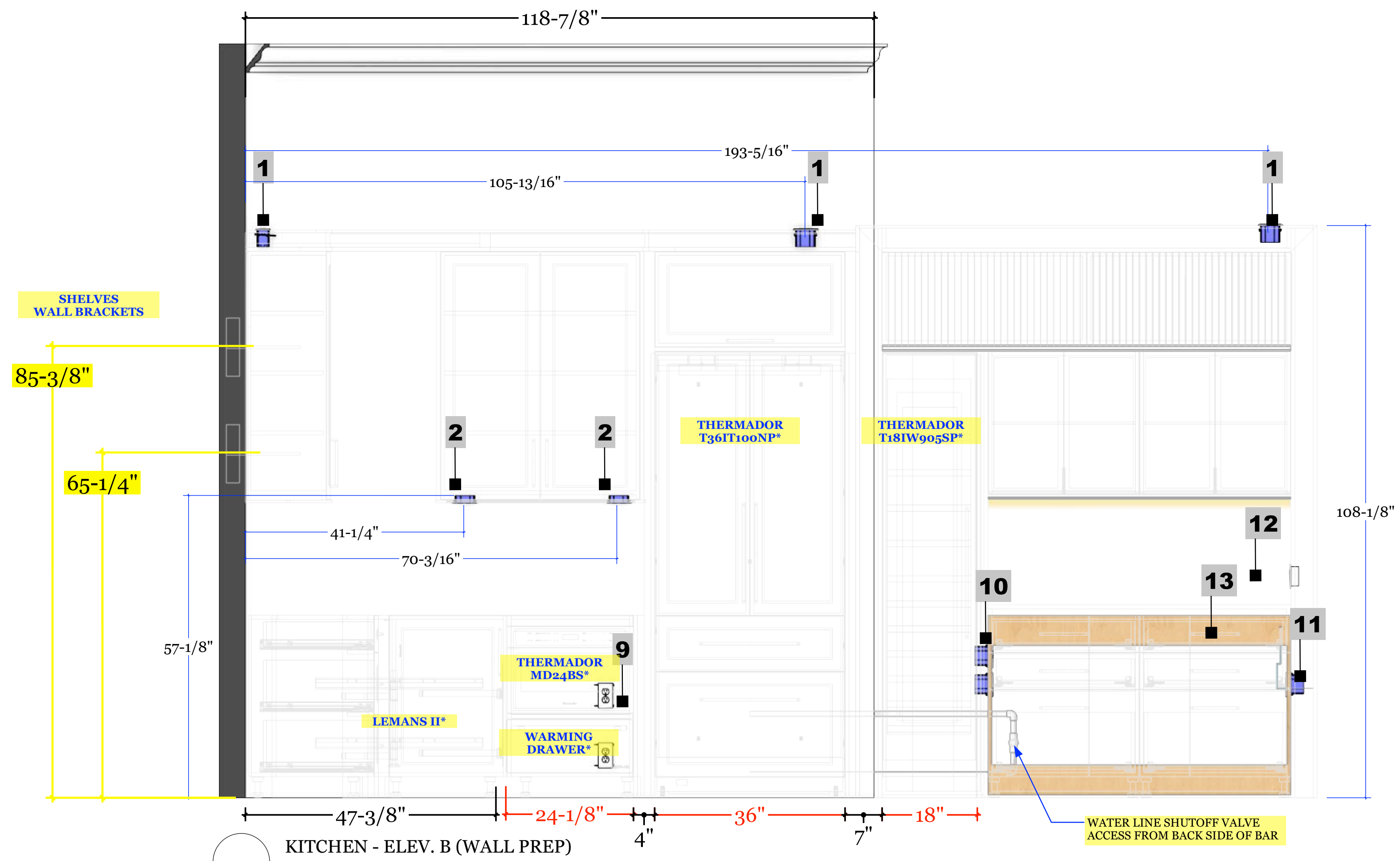
Truly Handy LLC makes no representation or warranties, express or implied, with respect to the reuse of the data provided herewith, regardless of its format or the means of its transmission. There is no guarantee or representation to the user as to the accuracy, currency, suitability or reliability of this data for any purpose. The user accepts the data "as is", and assumes all risks associated with its use. By acceptance of this data, the user agrees not to transmit this data or provide access or any part of it to another party unless the user shall include with the data a copy of this disclaimer. Truly Handy LLC assumes no responsibility for actual or consequential damage incurred as a result of any user's reliance on this data. Final engineering subject to change without notice.



KITCHEN - PLAN VIEW (ELECTRICAL NOTES)

ELECTRICAL

- (1) - PROVIDE (5) RECEPTACLES ABOVE CABINERY (TOP PANEL FLUSH MOUNTED)
- (2) - PROVIDE (6) **LOW PROFILE** RECEPTACLES UNDER UPPER CABINETS AND (4) ABOVE OPEN SHELVES (FLUSH MOUNTED)
- (3) - PROVIDE POWER FOR HOOD
- (4) - PROVIDE POWER FOR VENTILATION (ATTIC)
- (5) - PROVIDE POWER FOR RANGE
- (6) - PROVIDE (2) RECEPTACLES INSIDE SINK CABINET (DISPOSAL + FILTER)
- (7) - PROVIDE POWER FOR DISHWASHER
- (8) - PROVIDE (1) RECEPTACLE AT ISLAND WATERFALL SIDE (CENTERED) AND (2) AT SITTING AREA UNDER THE COUNTERTOP
- (9) - PROVIDE POWER FOR MICROWAVE AND WARMING DRAWER
- (10) - PROVIDE POWER FOR REFRIGERATOR AND WINE COOLER (THERE WILL BE ACCESS FROM BEHIND THE BAR LOWER CABINETS)
- (11) - PROVIDE (1) RECEPTACLE AT THE ISLAND TO CONNECT THE DOCKING DRAWER STATION AND PROVIDE (1) RECEPTACLE AT THE BAR TO CONNECT A POP-UP MOCKETT OUTLET WITH USB-C (THERE WILL BE ACCESS FROM BEHIND THE BAR LOWER CABINETS)
- (12) - ACCOMMODATE EXISTING SWITCHES AT BAR / FLUSH MOUNT INSIDE PANEL
- (13) - TH TO INSTALL DOCKING DRAWER AT ISLAND + AT THE BAR
- (14) - PROVIDE DIMMABLE LED LIGHTS UNDER UPPER CABINETS AND OPEN SHELVES
- (15) - NEW PENDANTS (x4)
- (16) - NEW CEILING CANS (x7)



TRULY HANDY

28280 Old 41 Rd, Unit M7
Bonita Springs, FL, 34135
Tel: 239-221-9151

QUILTY RESIDENCE

CLIENT
Patricia Quilty
8610 Cavano St
Naples, FL, 34119

DESIGNER
Eduardo Beluco
eduardo@trulyhandyllc.com

PROJECT
KITCHEN

NOTES:

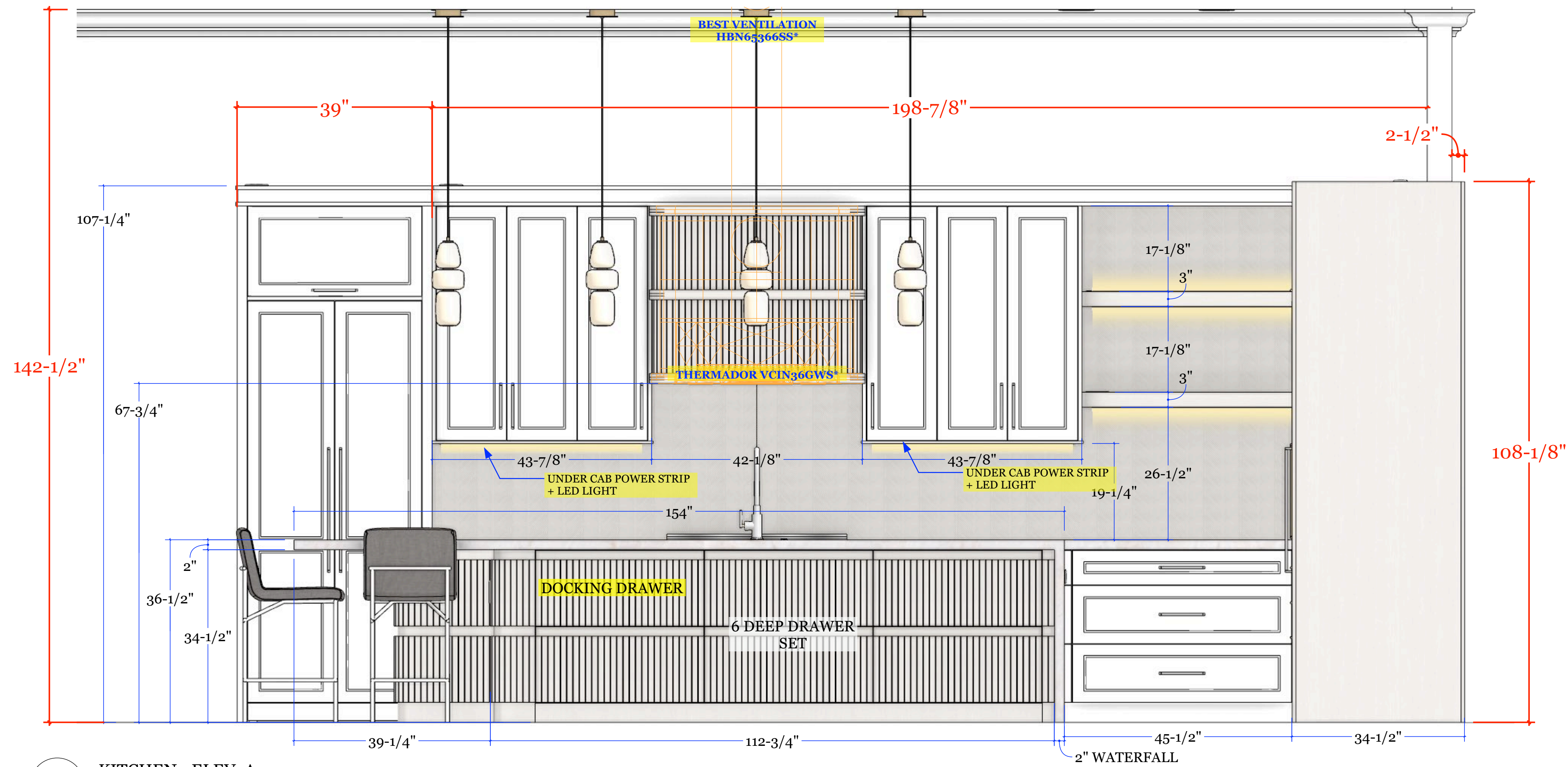
3D MODEL LINK

DATE: 01/15/26

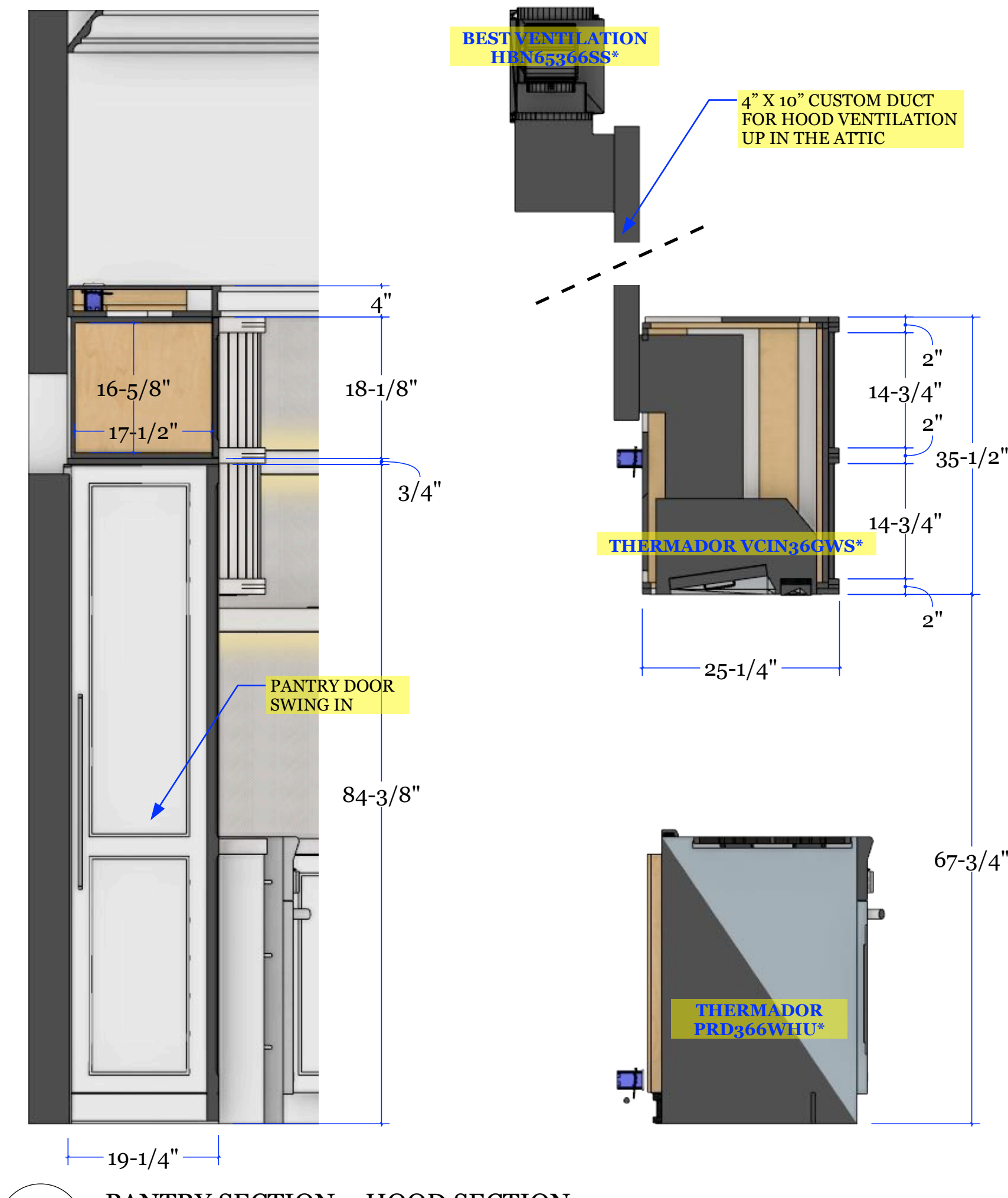
APPROVAL STATUS:
APPROVED

SCHEDULING DISCLAIMER:
All preliminary schedules are created based on approved drawings. Schedules will be automatically adjusted to reflect the final approval date. We will notify everyone of the updated timeline as soon as available. Any delays in the approval of drawings and finishes will potentially delay the project delivery / install date.

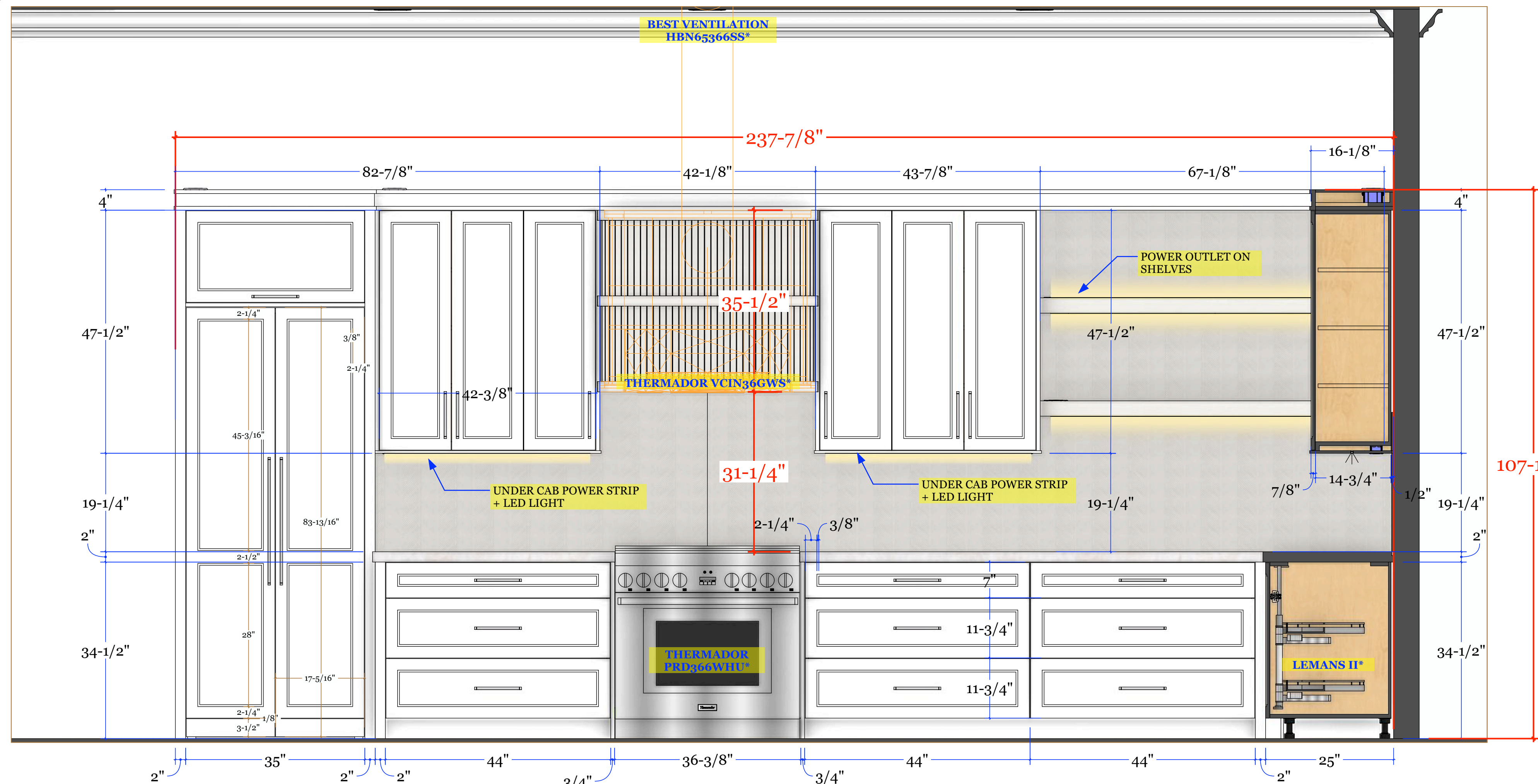
Truly Handy LLC makes no representation or warranties, express or implied, with respect to the reuse of the data provided herewith, regardless of its format or the means of its transmission. There is no guarantee or representation to the user as to the accuracy, currency, suitability or reliability of this data for any purpose. The user accepts the data "as is", and assumes all risks associated with its use. By acceptance of this data, the user agrees not to transmit this data or provide access of any part of it to another party unless the user shall include with the data a copy of this disclaimer. Truly Handy LLC assumes no responsibility for actual or consequential damage incurred as a result of any user's reliance on this data. Final engineering subject to change without notice.



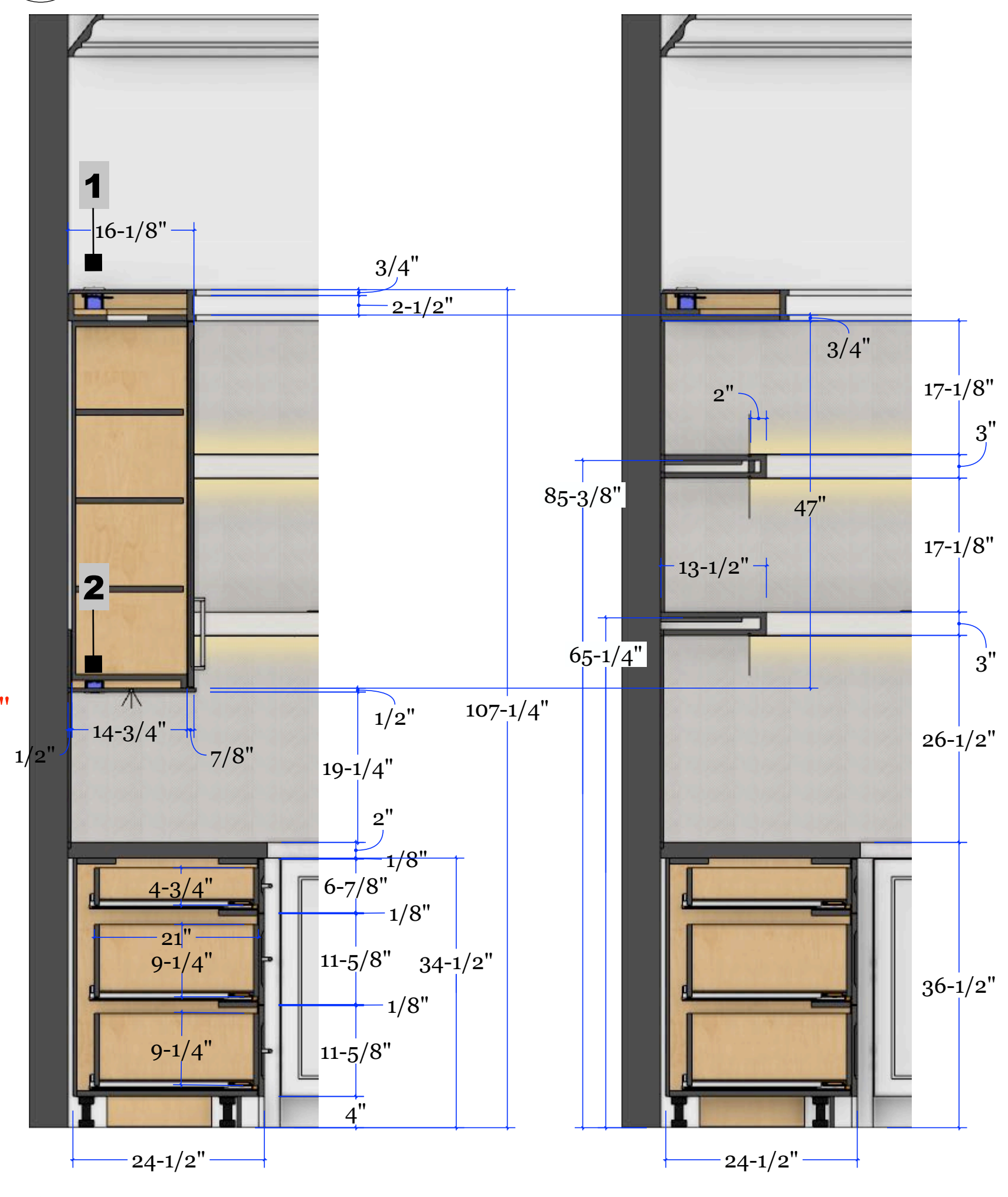
KITCHEN - ELEV. A



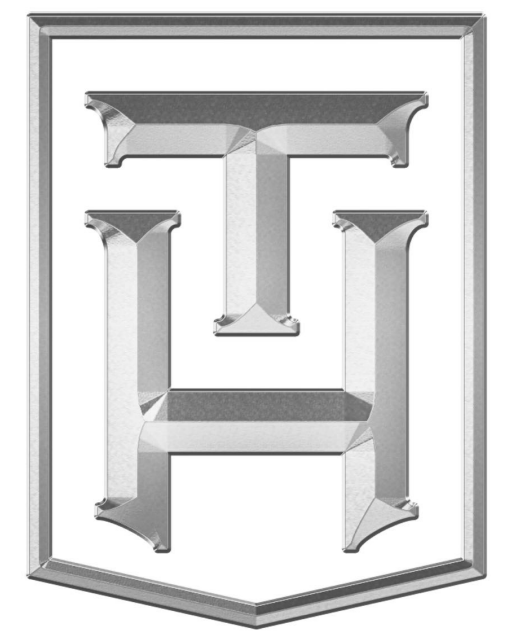
PANTRY SECTION + HOOD SECTION



KITCHEN - ELEV. A (OPEN)



ELEVATION A - SECTIONS



TRULY HANDY

28280 Old 41 Rd, Unit M7
 Bonita Springs, FL, 34135
 Tel: 239-221-9151

QUILTY RESIDENCE

CLIENT
 Patricia Quilty
 8610 Cavano St
 Naples, FL, 34119

DESIGNER
 Eduardo Beluco
 eduardo@trulyhandyllc.com

PROJECT
KITCHEN

NOTES:

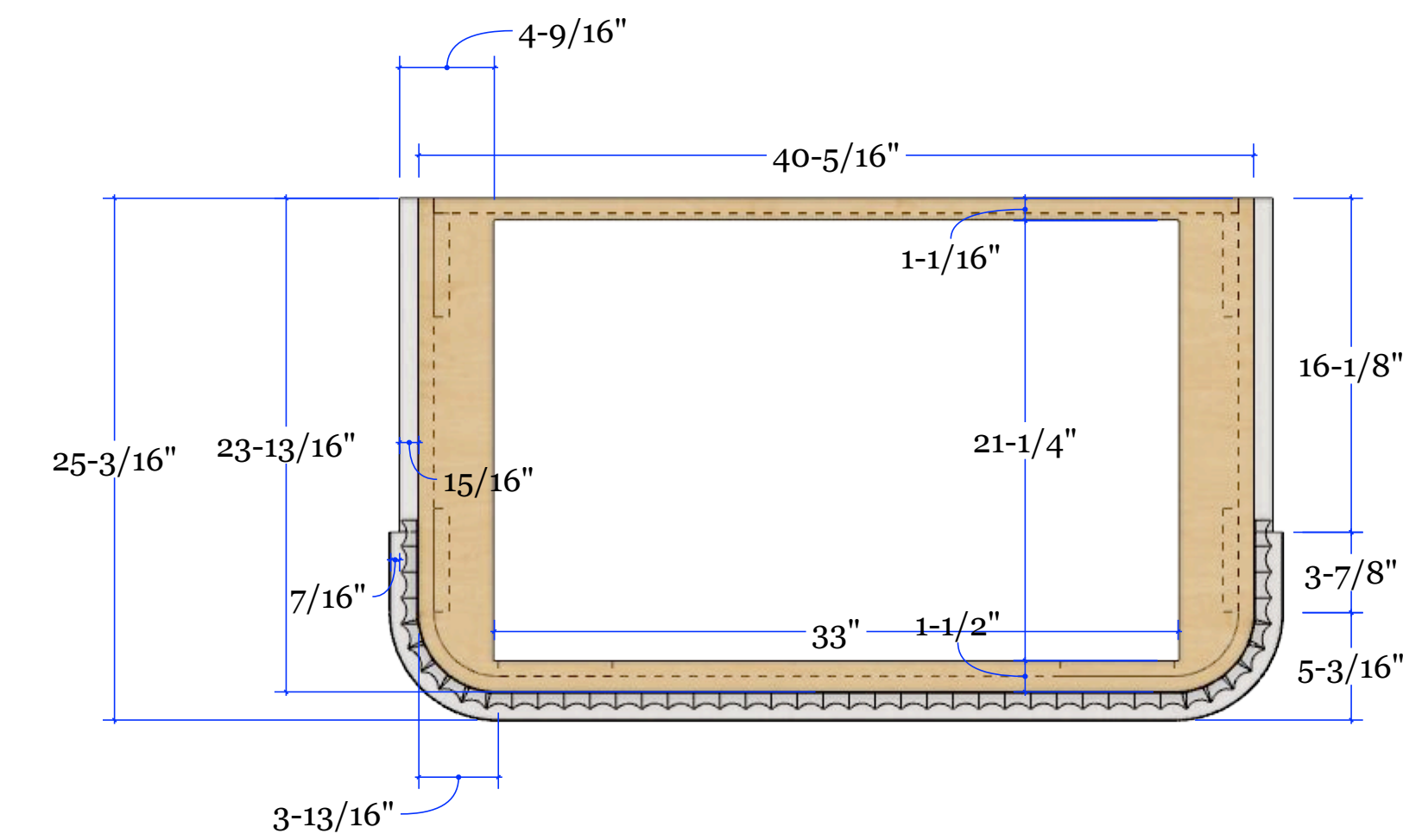
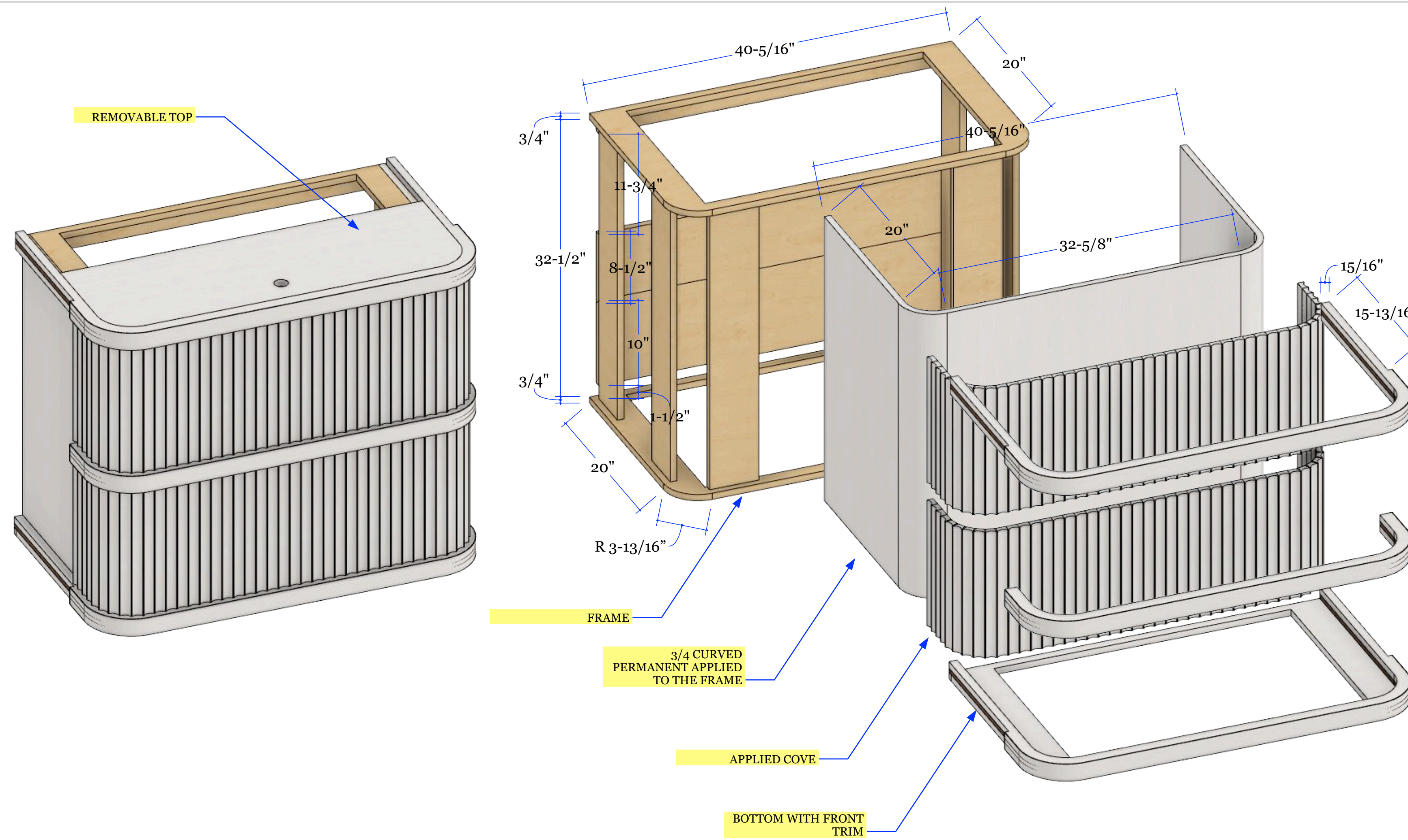
3D MODEL LINK

DATE: 01/15/26

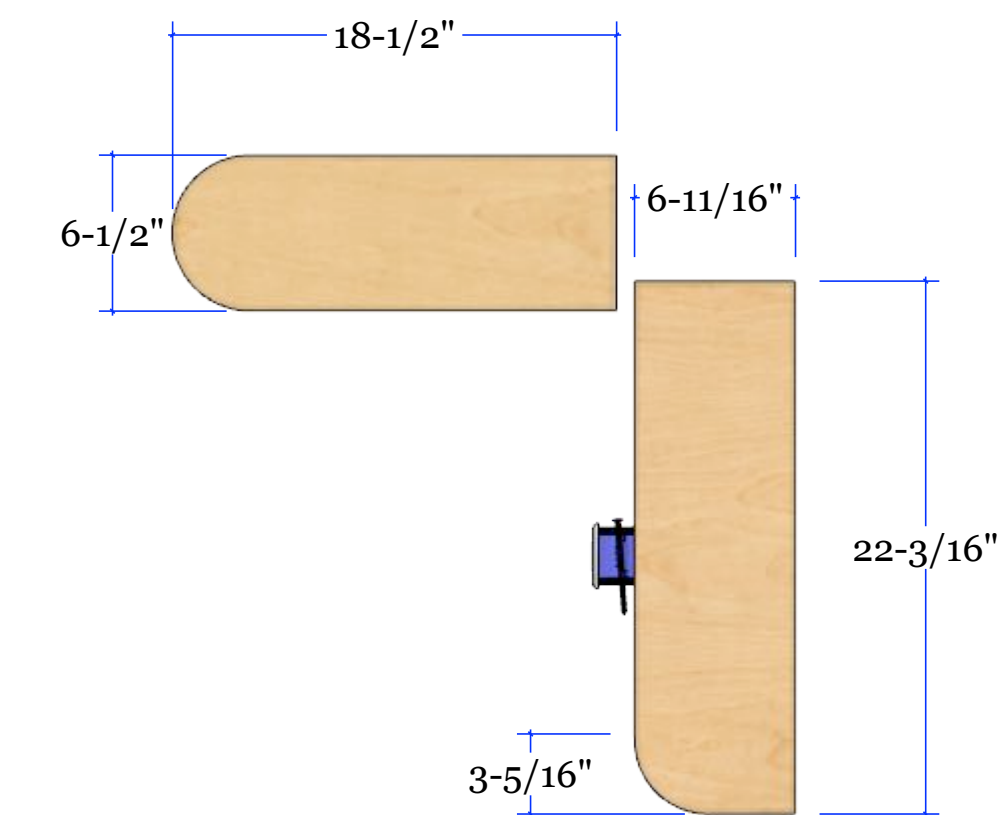
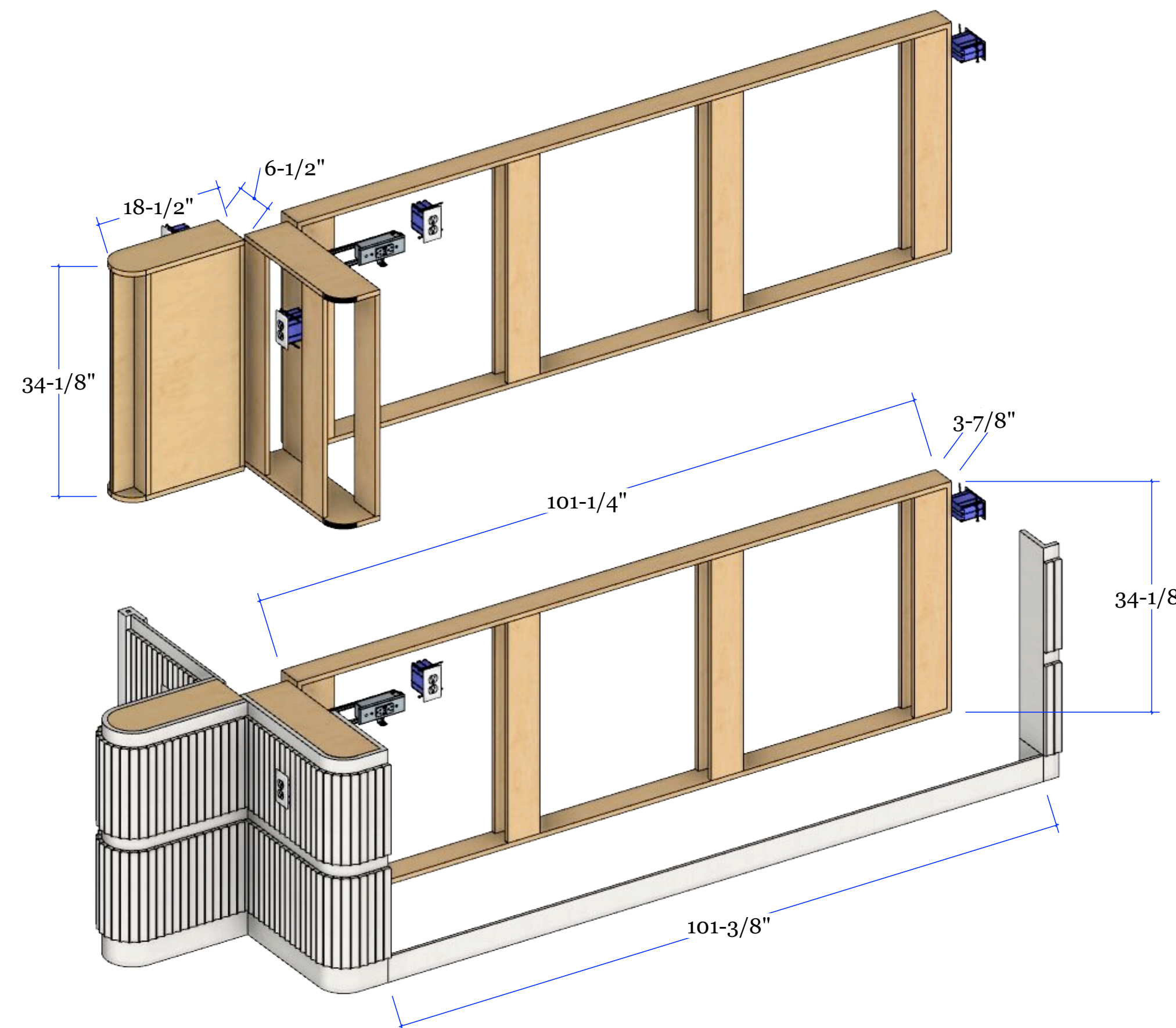
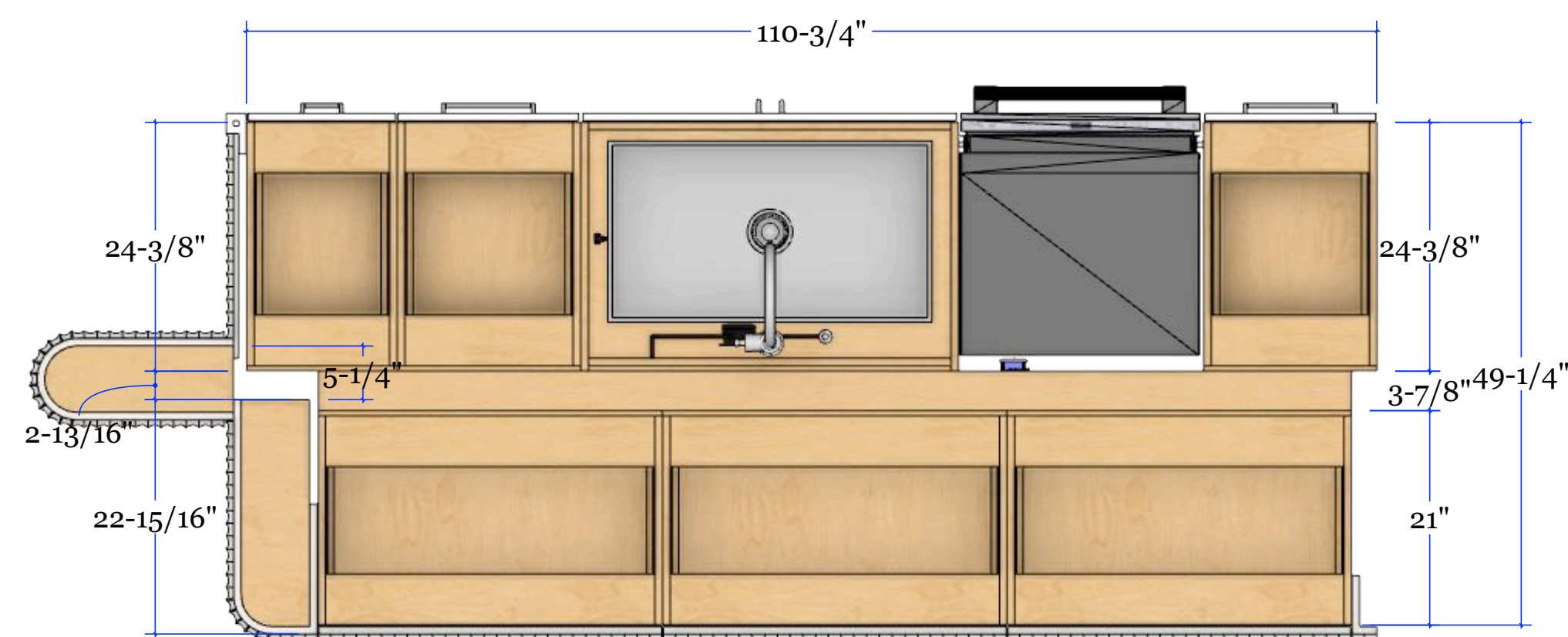
APPROVAL STATUS:
APPROVED

SCHEDULING DISCLAIMER:
 All preliminary schedules are created based on approved drawings. Schedules will be automatically adjusted to reflect the final approval date. We will notify everyone of the updated timeline as soon as available. Any delays in the approval of drawings and finishes will potentially delay the project delivery / install date.

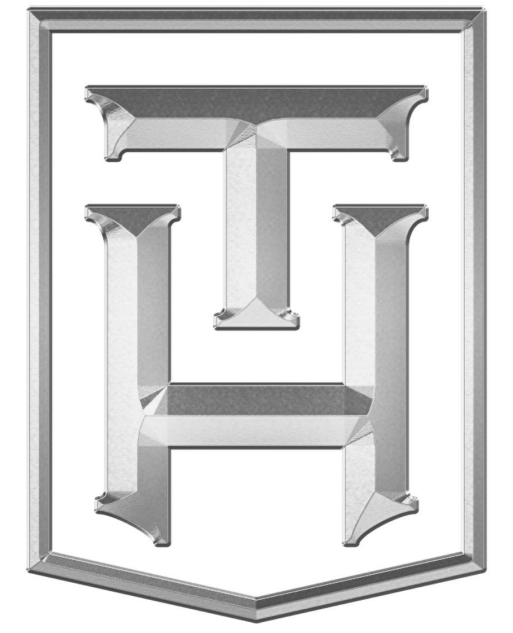
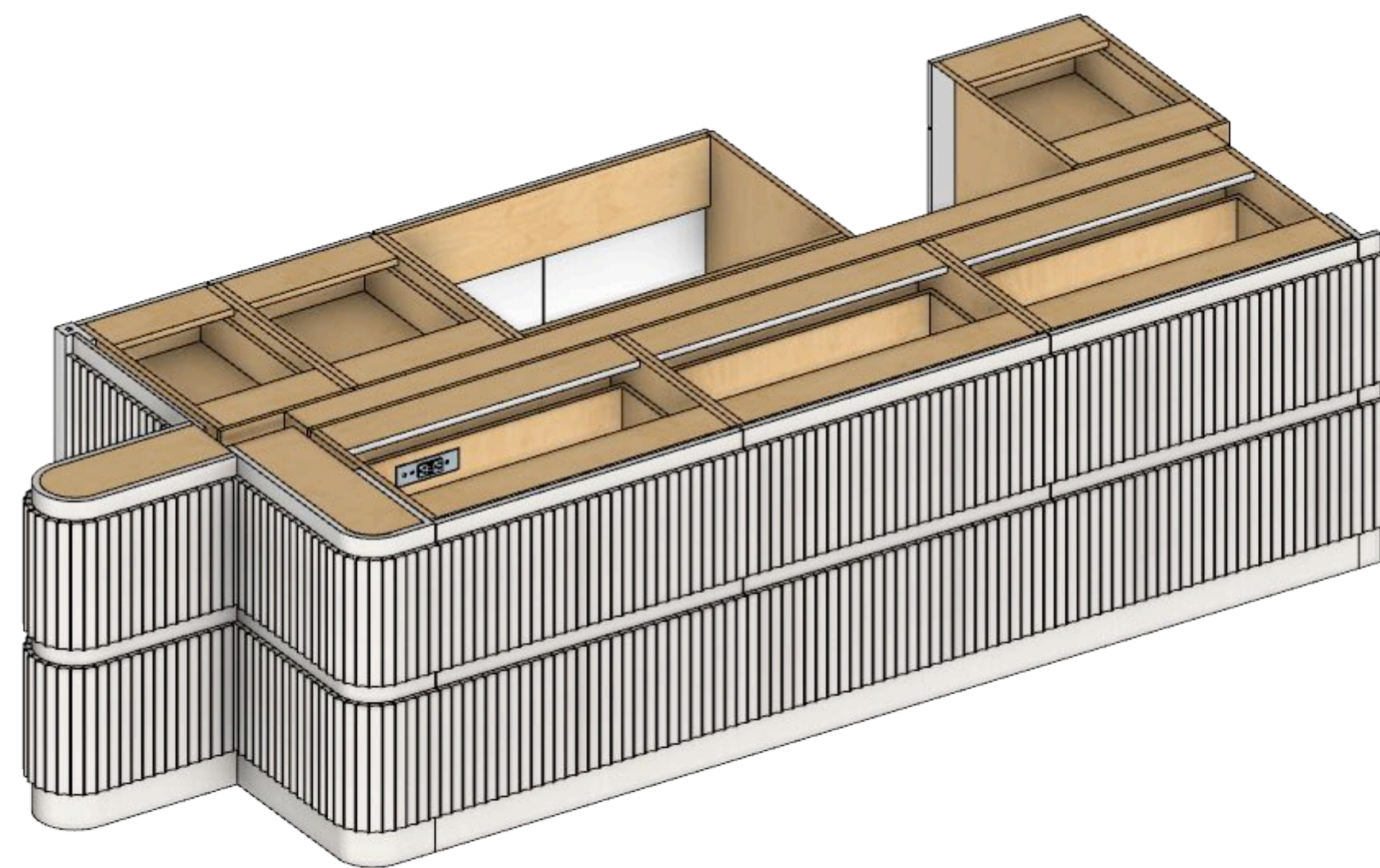
Truly Handy LLC makes no representation or warranties, express or implied, with respect to the reuse of the data provided herewith, regardless of its format or the means of its transmission. There is no guarantee or representation to the user as to the accuracy, currency, suitability or reliability of this data for any purpose. The user accepts the data "as is", and assumes all risks associated with its use. By acceptance of this data, the user agrees not to transmit this data or provide access of any part of it to another party unless the user shall include with the data a copy of this disclaimer. Truly Handy LLC assumes no responsibility for actual or consequential damage incurred as a result of any user's reliance on this data. Final engineering subject to change without notice.



HOOD DETAILS



ISLAND DETAILS



**TRULY
HANDY**

28280 Old 41 Rd, Unit M7
Bonita Springs, FL, 34135
Tel: 239-221-9151

**QUILTY
RESIDENCE**

CLIENT
Patricia Quilty
8610 Cavano St
Naples, FL, 34119

DESIGNER
Eduardo Beluco
eduardo@trulyhandyllc.com

PROJECT
KITCHEN

NOTES:

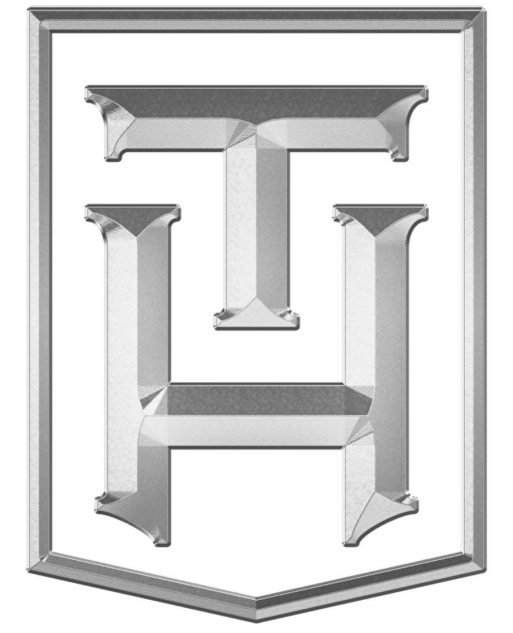
3D MODEL LINK

DATE: 01/15/26

APPROVAL STATUS:
APPROVED

SCHEDULING DISCLAIMER:
All preliminary schedules are created based on approved drawings. Schedules will be automatically adjusted to reflect the final approval date. We will notify everyone of the updated timeline as soon as available. Any delays in the approval of drawings and finishes will potentially delay the project delivery / install date.

Truly Handy LLC makes no representation or warranties, express or implied, with respect to the reuse of the data provided herewith, regardless of its format or the means of its transmission. There is no guarantee or representation to the user as to the accuracy, currency, suitability or reliability of this data for any purpose. The user accepts the data "as is", and assumes all risks associated with its use. By acceptance of this data, the user agrees not to transmit this data or provide access or any part of it to another party unless the user shall include with the data a copy of this disclaimer. Truly Handy LLC assumes no responsibility for actual or consequential damage incurred as a result of any user's reliance on this data. Final engineering subject to change without notice.



**TRULY
HANDY**

28280 Old 41 Rd, Unit M7
Bonita Springs, FL, 34135
Tel: 239-221-9151

QUILTY RESIDENCE

CLIENT
Patricia Quilty
8610 Cavano St
Naples, FL, 34119

DESIGNER
Eduardo Beluco
eduardo@trulyhandyllc.com

PROJECT
KITCHEN

NOTES:

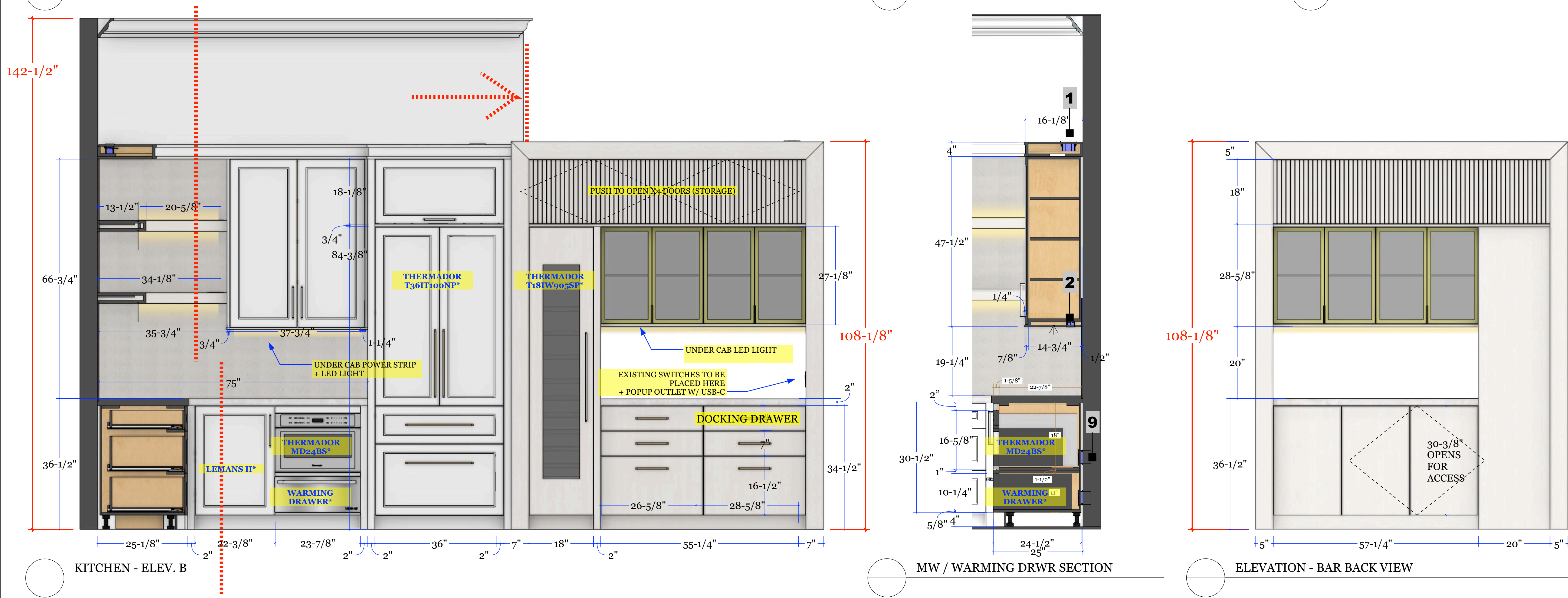
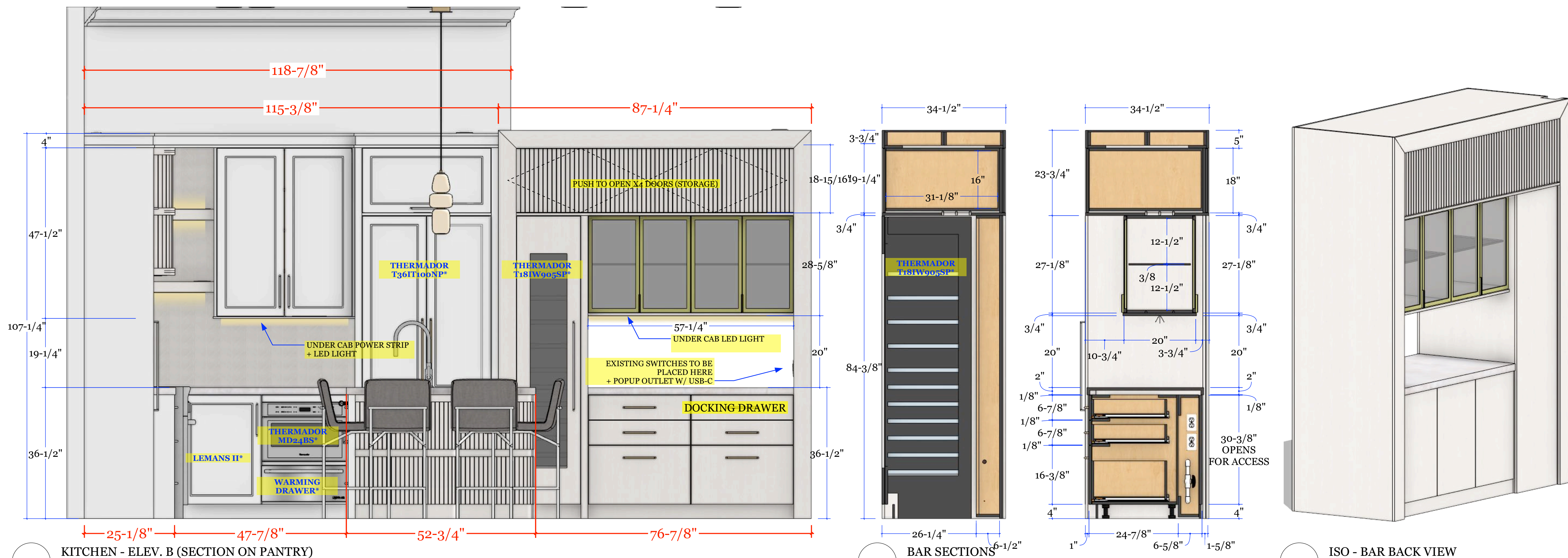
3D MODEL LINK

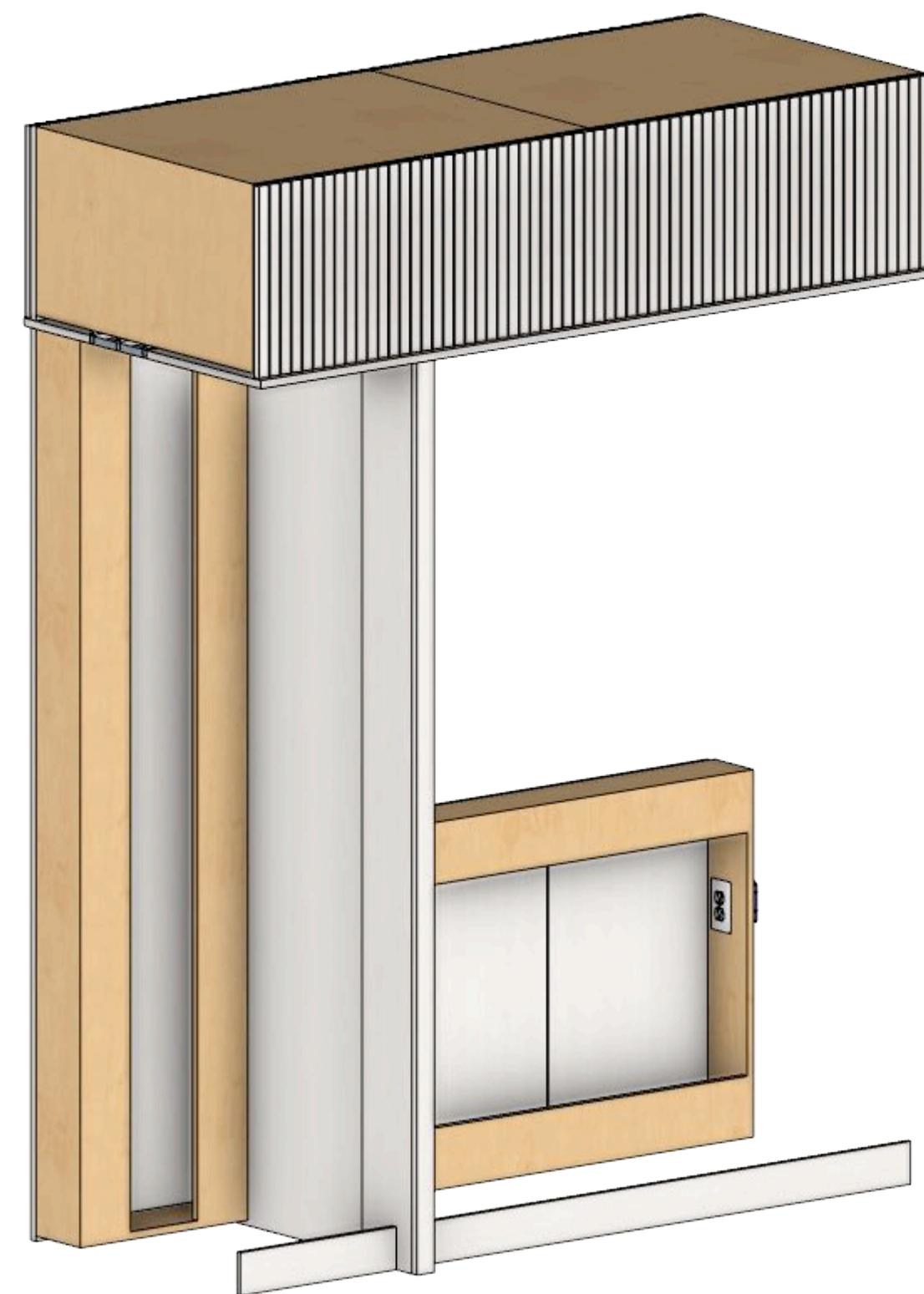
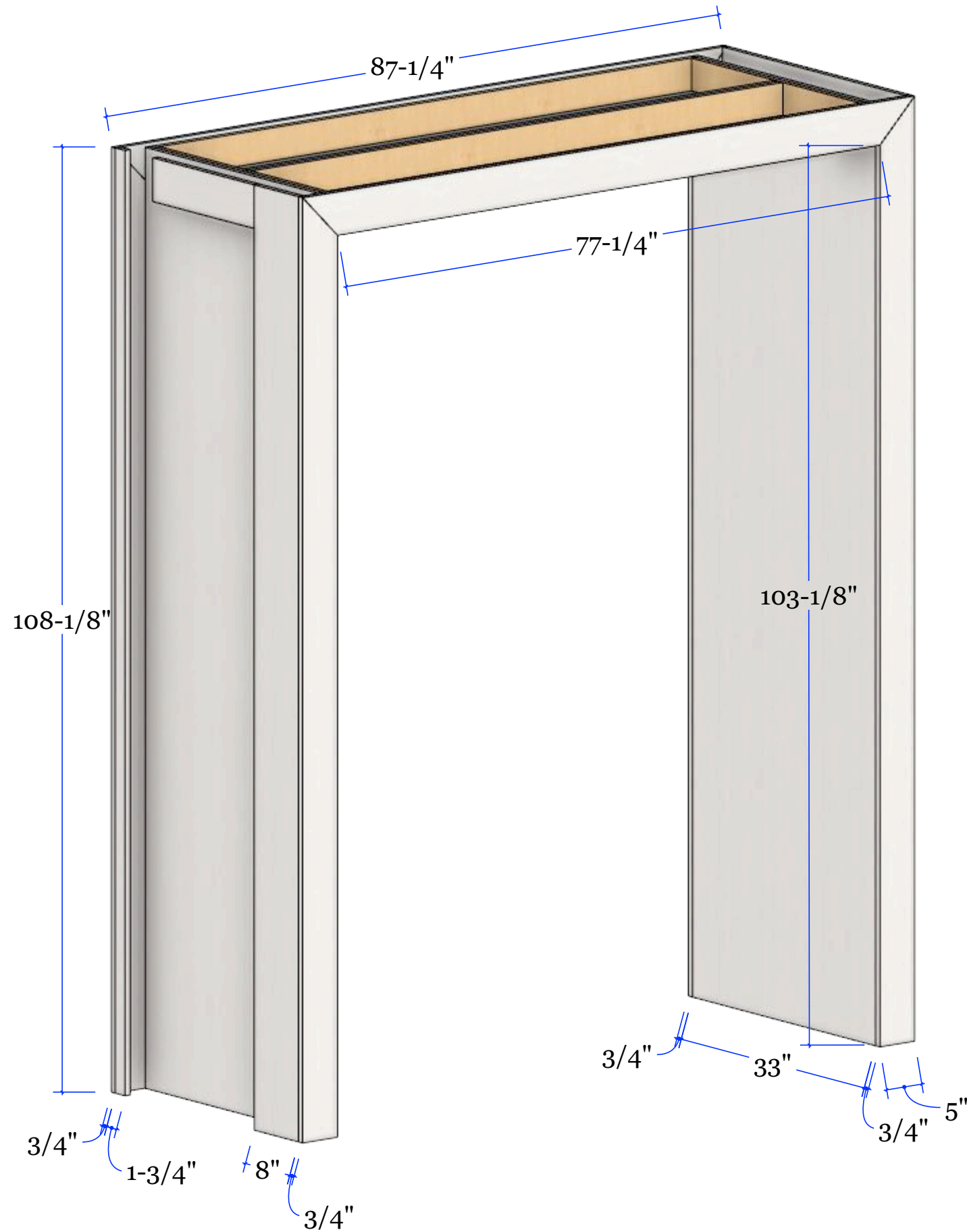
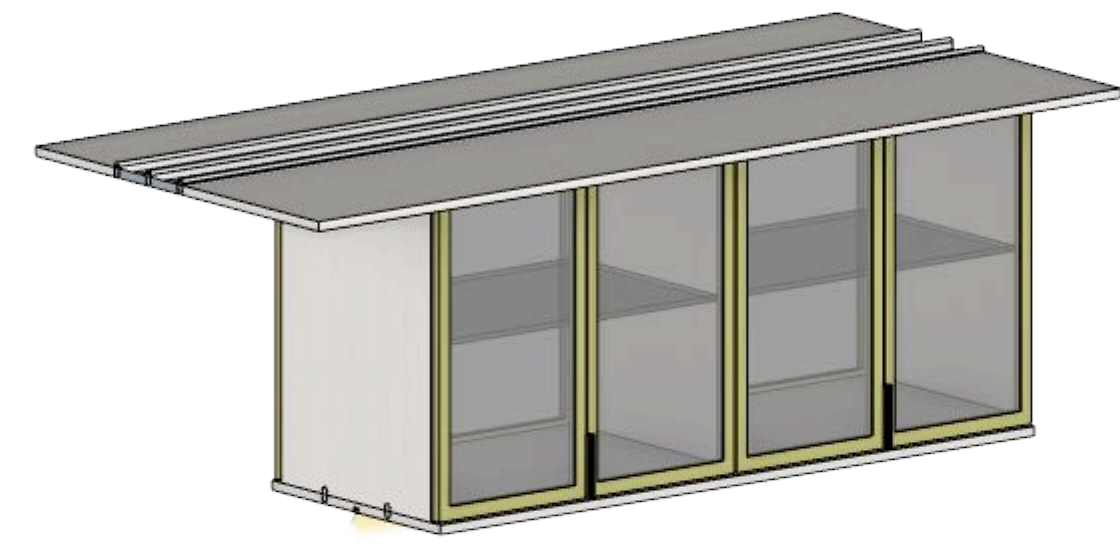
DATE: 01/15/26

APPROVAL STATUS:
APPROVED

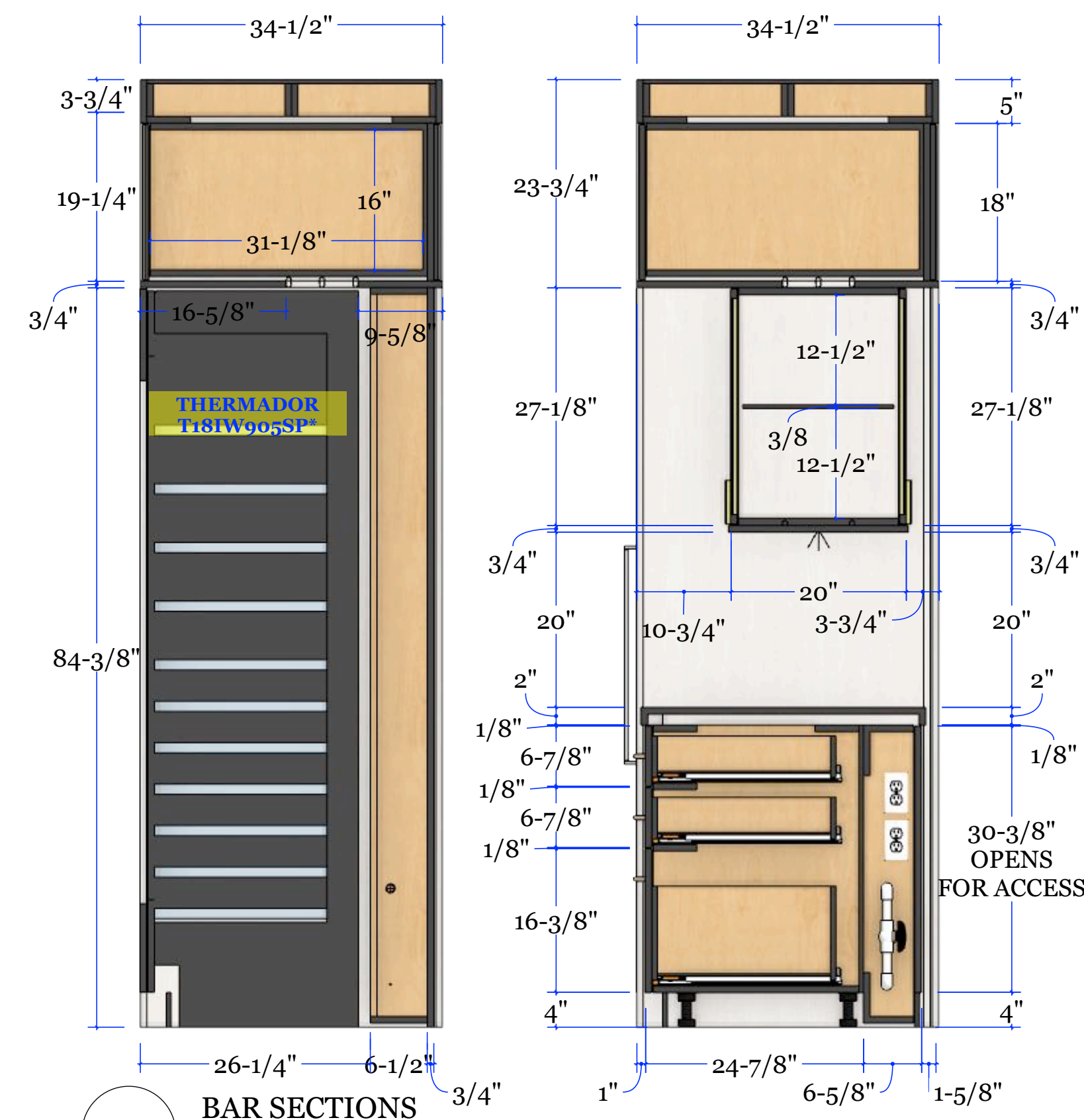
SCHEDULING DISCLAIMER:
All preliminary schedules are created based on approved drawings. Schedules will be automatically adjusted to reflect the final approval date. We will notify everyone of the updated timeline as soon as available. Any delays in the approval of drawings and finishes will potentially delay the project delivery / install date.

Truly Handy LLC makes no representation or warranties, express or implied, with respect to the reuse of the data provided herewith, regardless of its format or the means of its transmission. There is no guarantee or representation to the user as to the accuracy, currency, suitability or reliability of this data for any purpose. The user accepts the data "as is", and assumes all risks associated with its use. By acceptance of this data, the user agrees not to transmit this data or provide access of any part of it to another party unless the user shall include with the data a copy of this disclaimer. Truly Handy LLC assumes no responsibility for actual or consequential damage incurred as a result of any user's reliance on this data. Final engineering subject to change without notice.





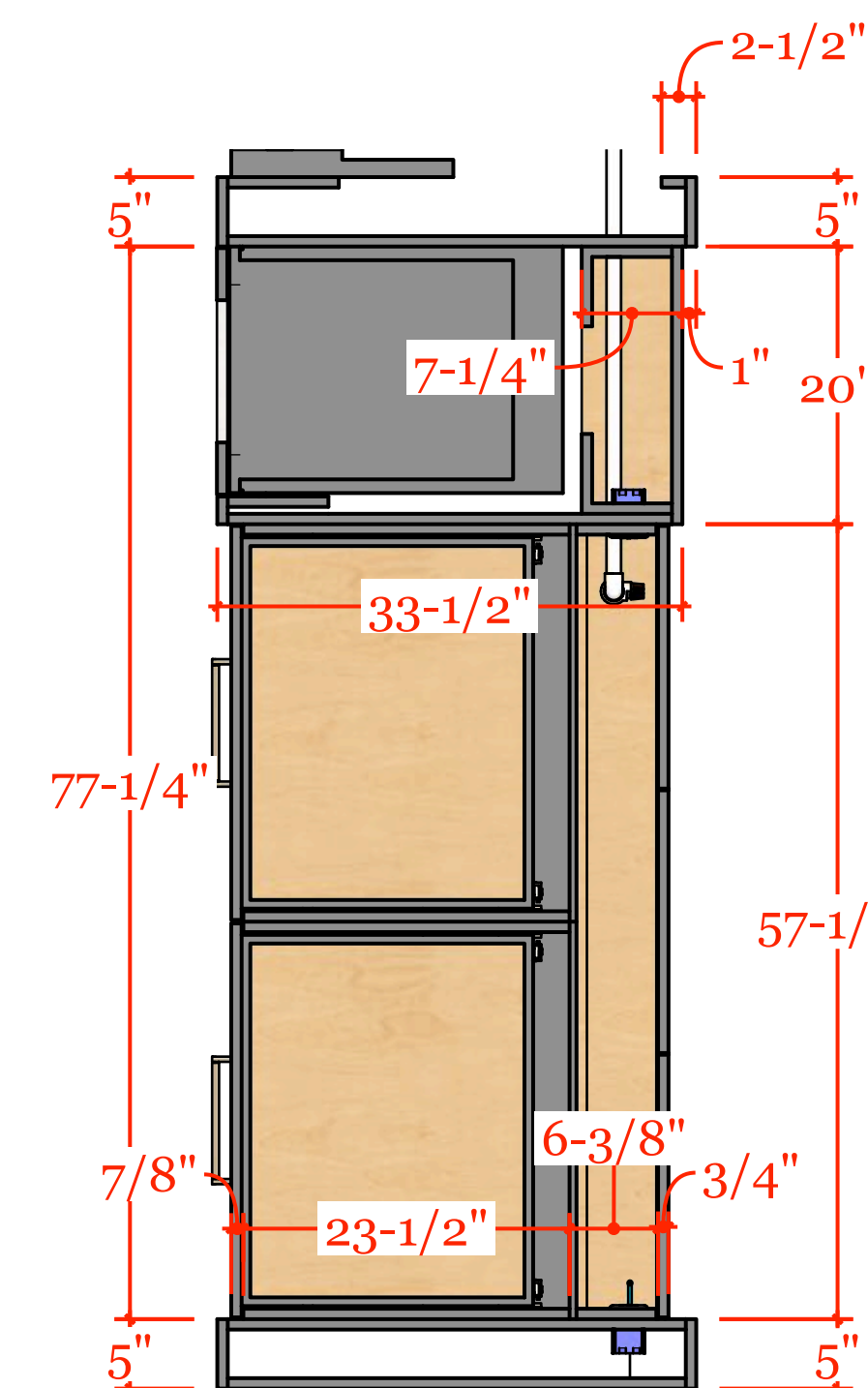
KITCHEN - ELEV. B



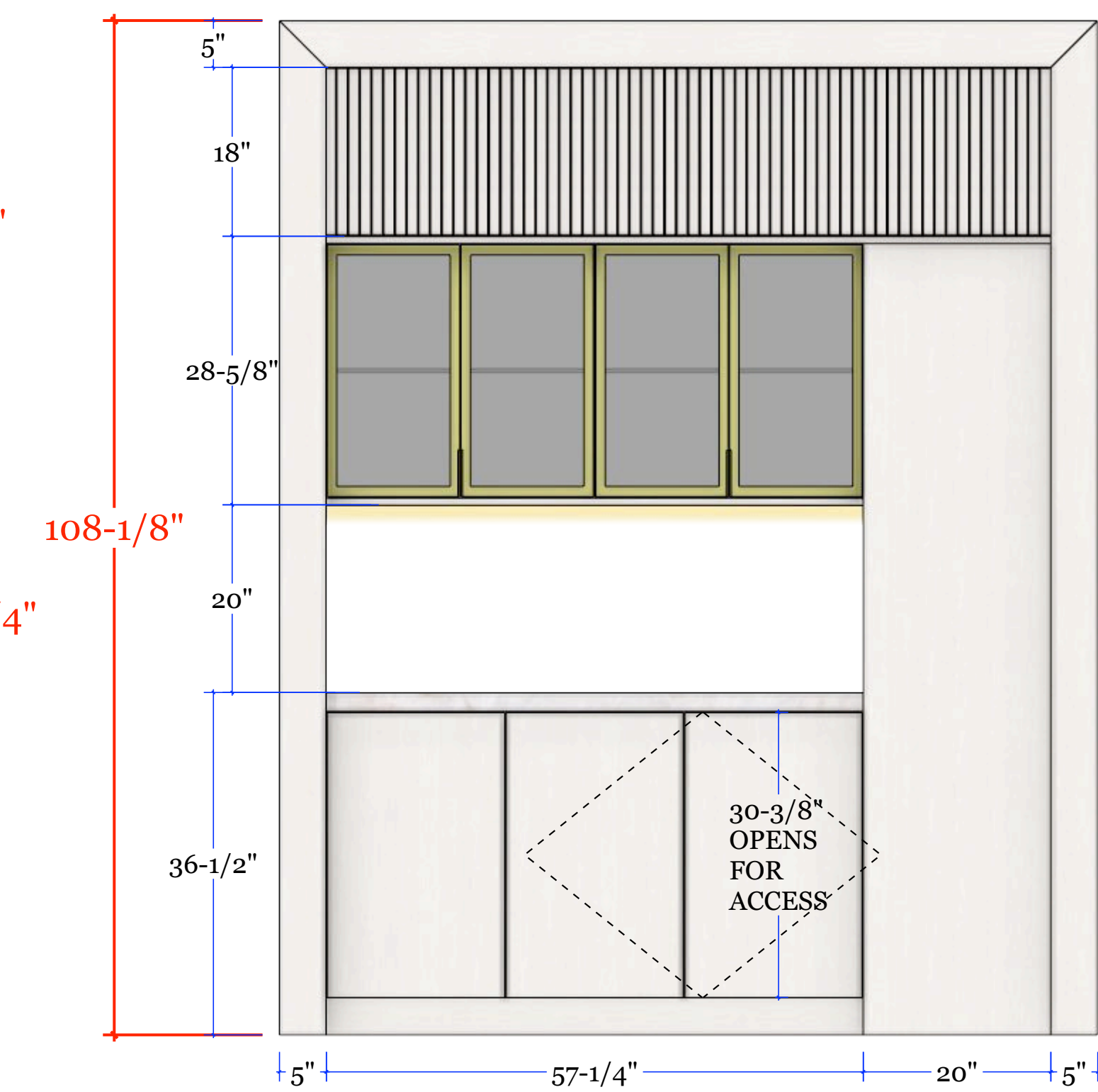
BAR SECTIONS



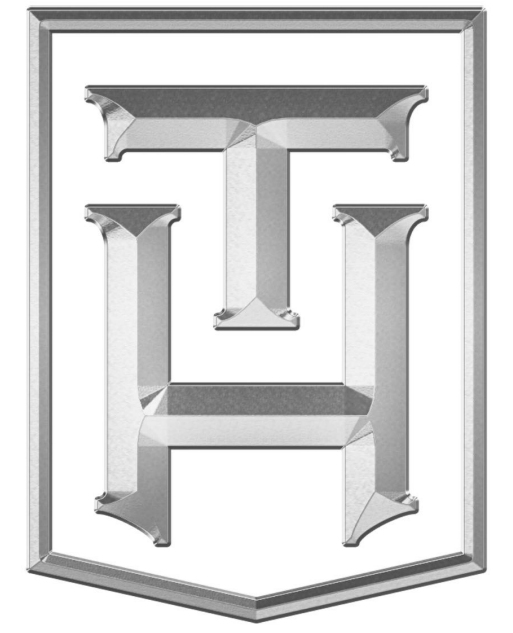
ISO - BAR BACK VIEW



MW / WARMING DRWR SECTION



ELEVATION - BAR BACK VIEW



**TRULY
HANDY**

28280 Old 41 Rd, Unit M7
Bonita Springs, FL, 34135
Tel: 239-221-9151

**QUILTY
RESIDENCE**

CLIENT
Patricia Quilty
8610 Cavano St
Naples, FL, 34119

DESIGNER
Eduardo Beluco
eduardo@trulyhandyllc.com

PROJECT
KITCHEN

NOTES:

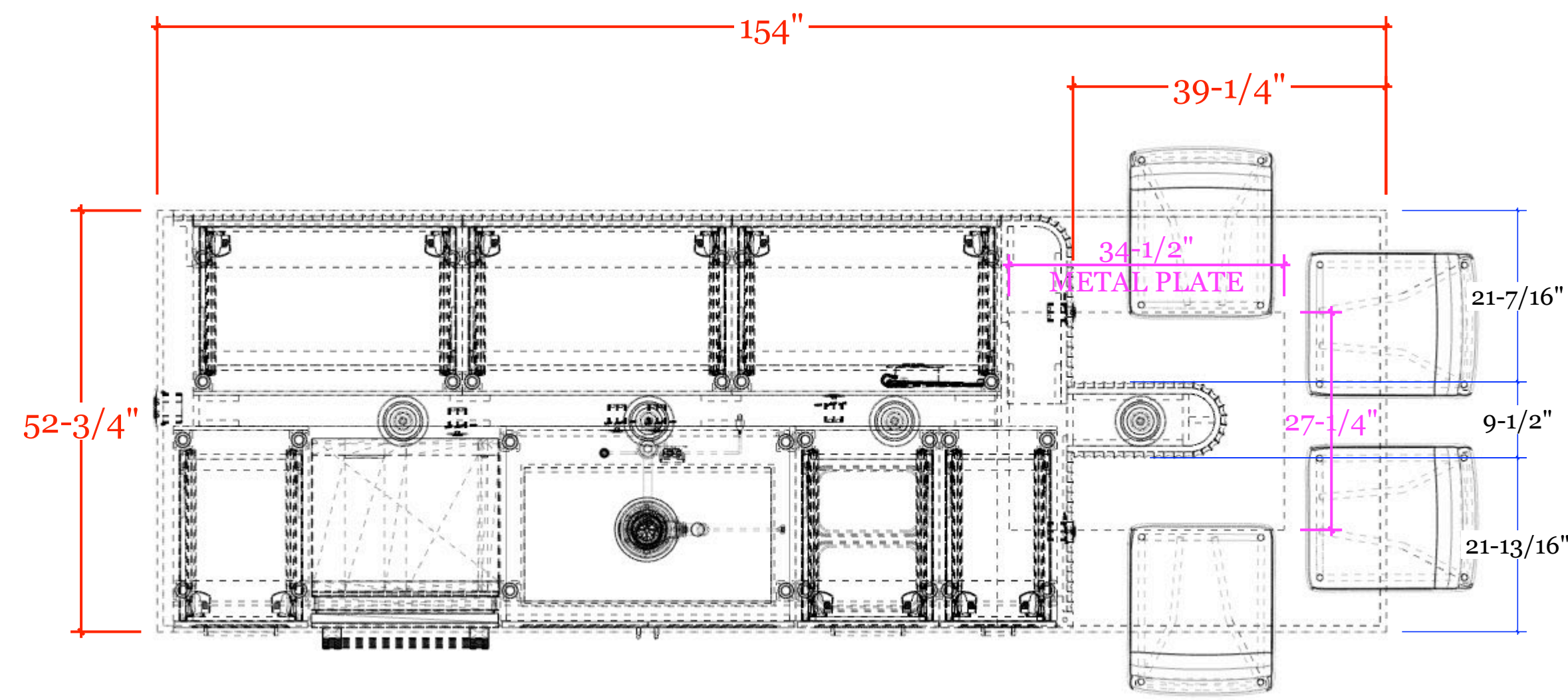
3D MODEL LINK

DATE: 01/15/26

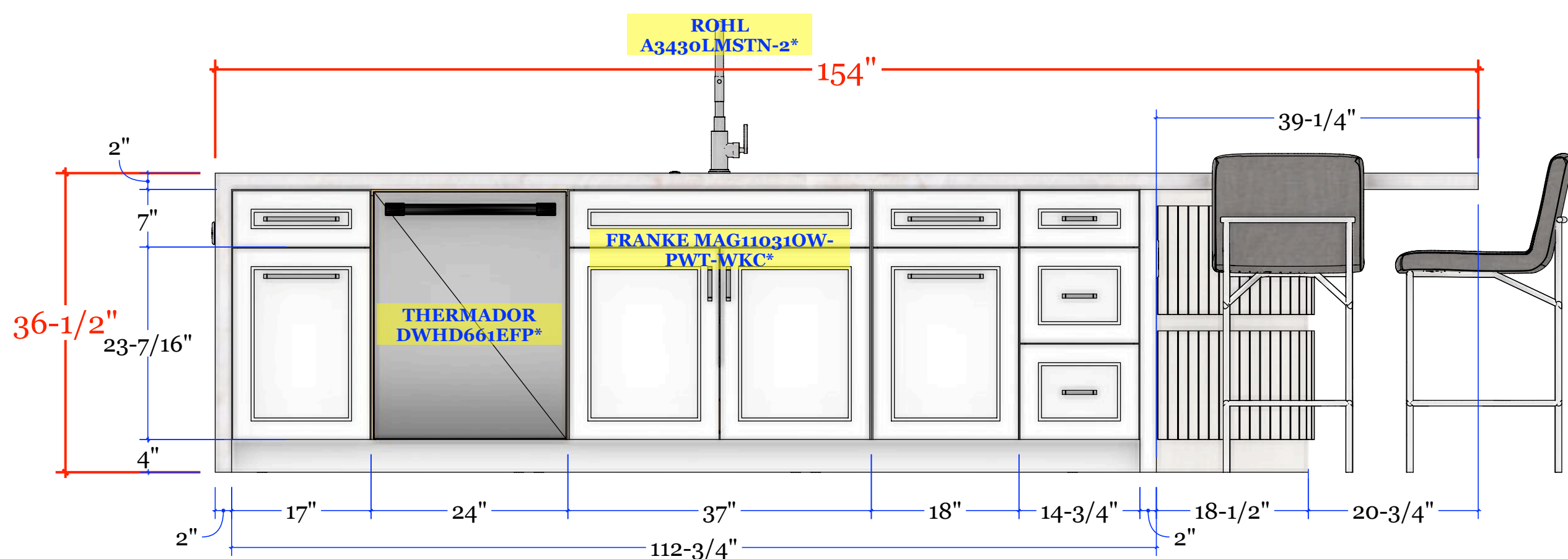
APPROVAL STATUS:
APPROVED

SCHEDULING DISCLAIMER:
All preliminary schedules are created based on approved drawings. Schedules will be automatically adjusted to reflect the final approval date. We will notify everyone of the updated timeline as soon as available. Any delays in the approval of drawings and finishes will potentially delay the project delivery / install date.

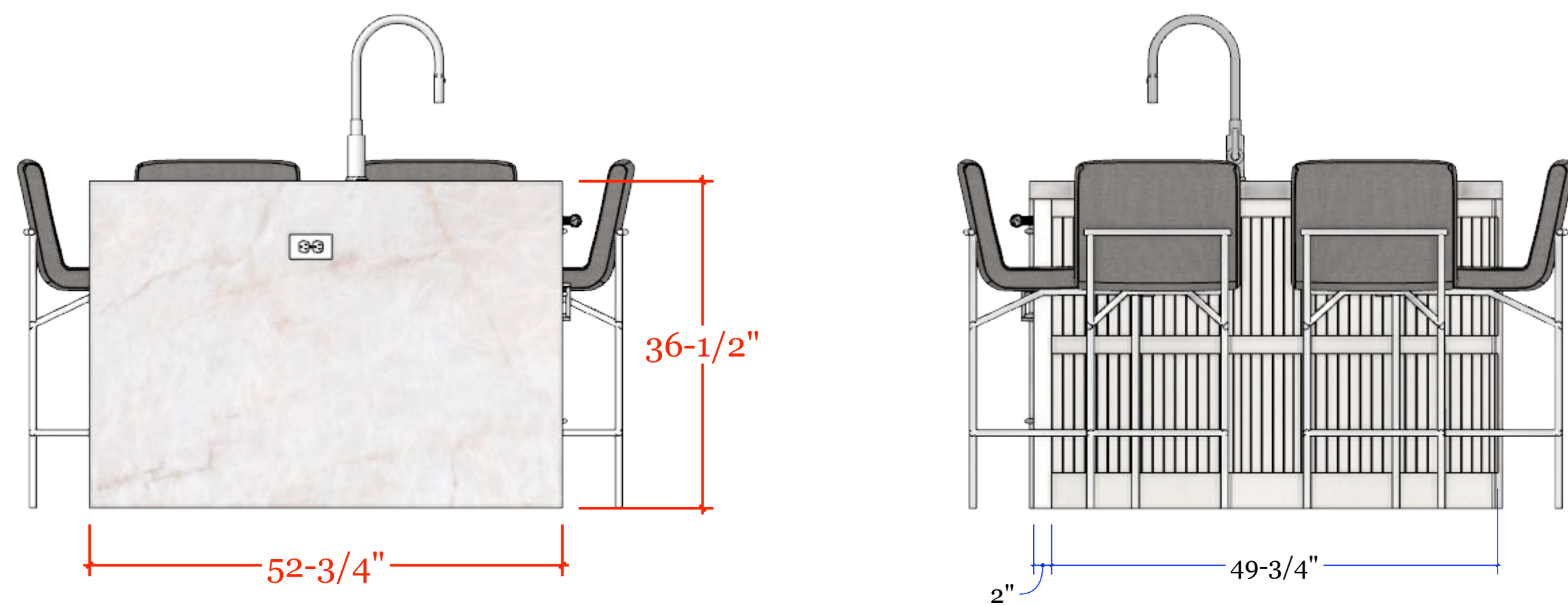
Truly Handy LLC makes no representation or warranties, express or implied, with respect to the reuse of the data provided herewith, regardless of its format or the means of its transmission. There is no guarantee or representation to the user as to the accuracy, currency, suitability or reliability of this data for any purpose. The user accepts the data "as is", and assumes all risks associated with its use. By acceptance of this data, the user agrees not to transmit this data or provide access or any part of it to another party unless the user shall include with the data a copy of this disclaimer. Truly Handy LLC assumes no responsibility for actual or consequential damage incurred as a result of any user's reliance on this data. Final engineering subject to change without notice.



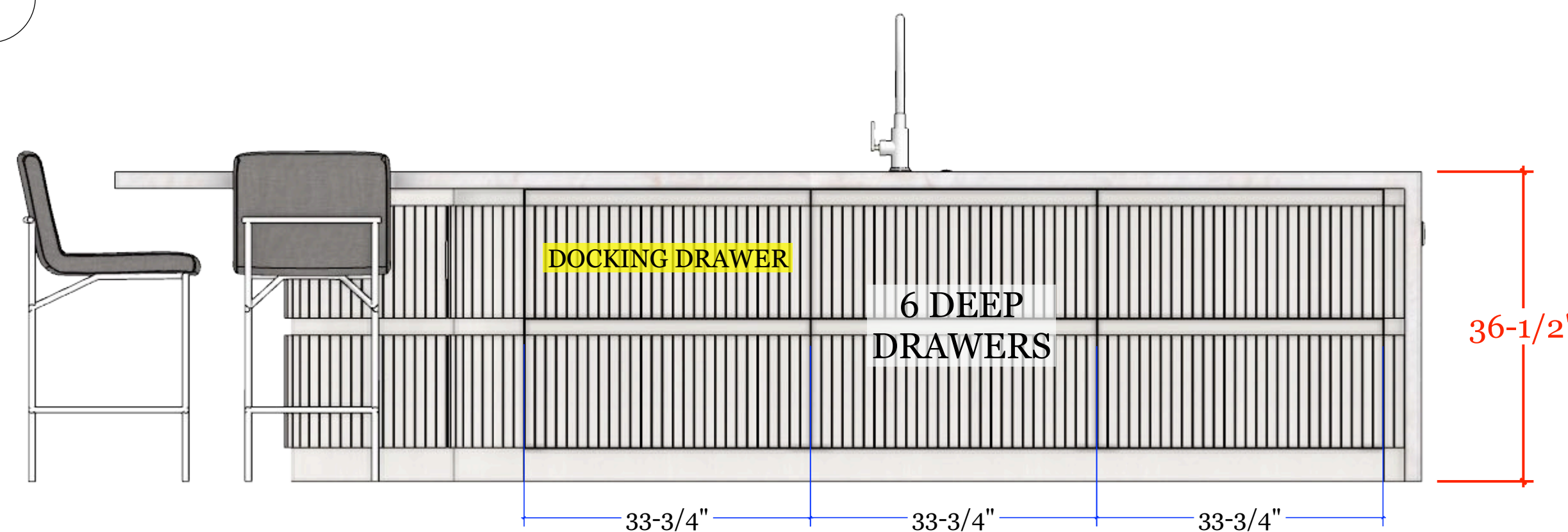
ISLAND - PLAN VIEW



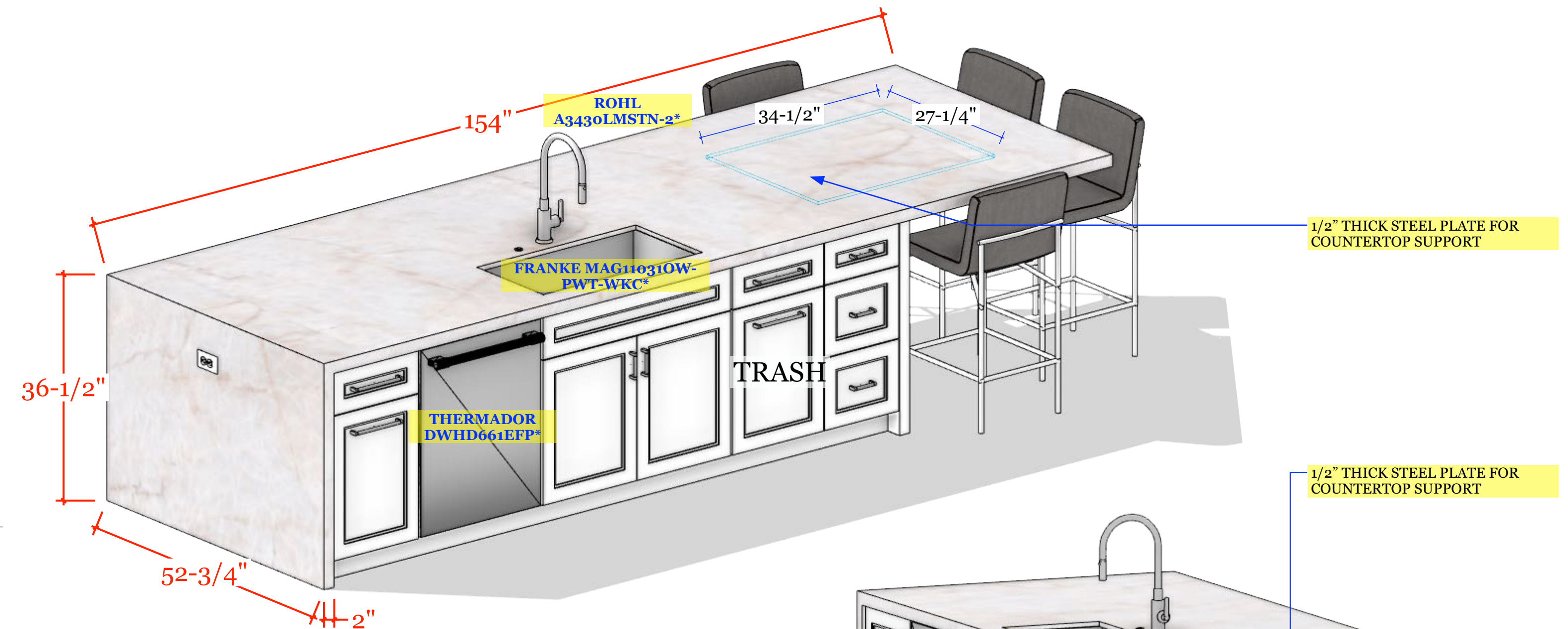
ISLAND - ELEV. A



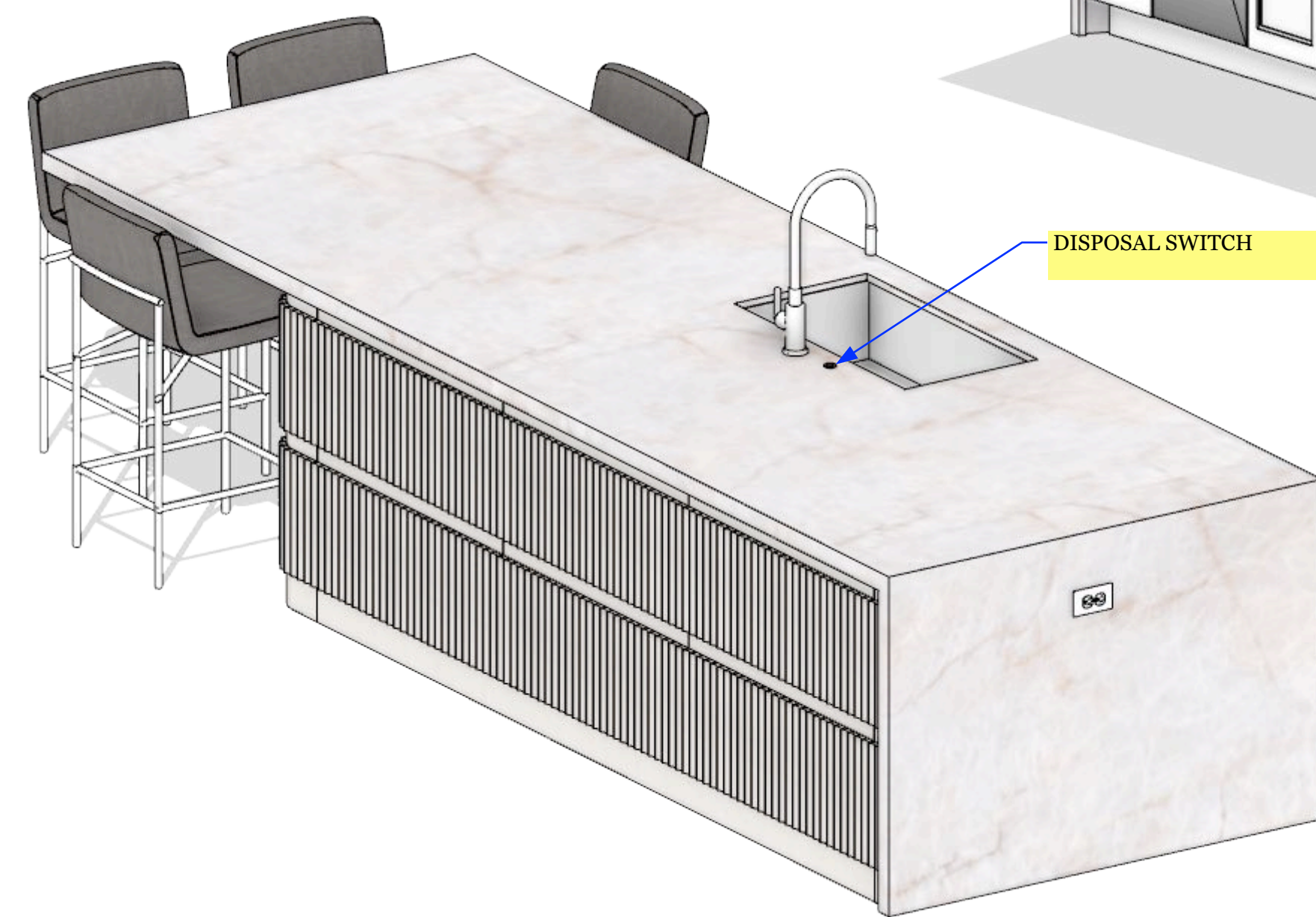
ISLAND - ELEV. B + ELEV. D



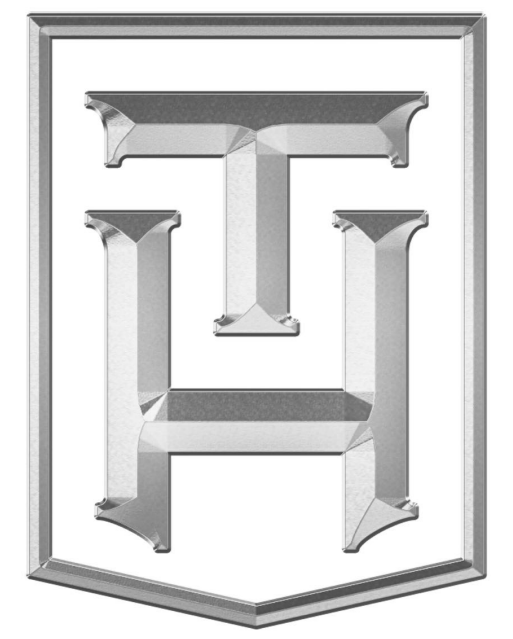
ISLAND - ELEV. C



ISLAND - ISOMETRIC VIEW



ISLAND - SECTIONS



**TRULY
HANDY**

28280 Old 41 Rd, Unit M7
Bonita Springs, FL, 34135
Tel: 239-221-9151

**QUILTY
RESIDENCE**

CLIENT
Patricia Quilty
8610 Cavano St
Naples, FL, 34119

DESIGNER
Eduardo Beluco
eduardo@trulyhandyllc.com

PROJECT
KITCHEN

NOTES:

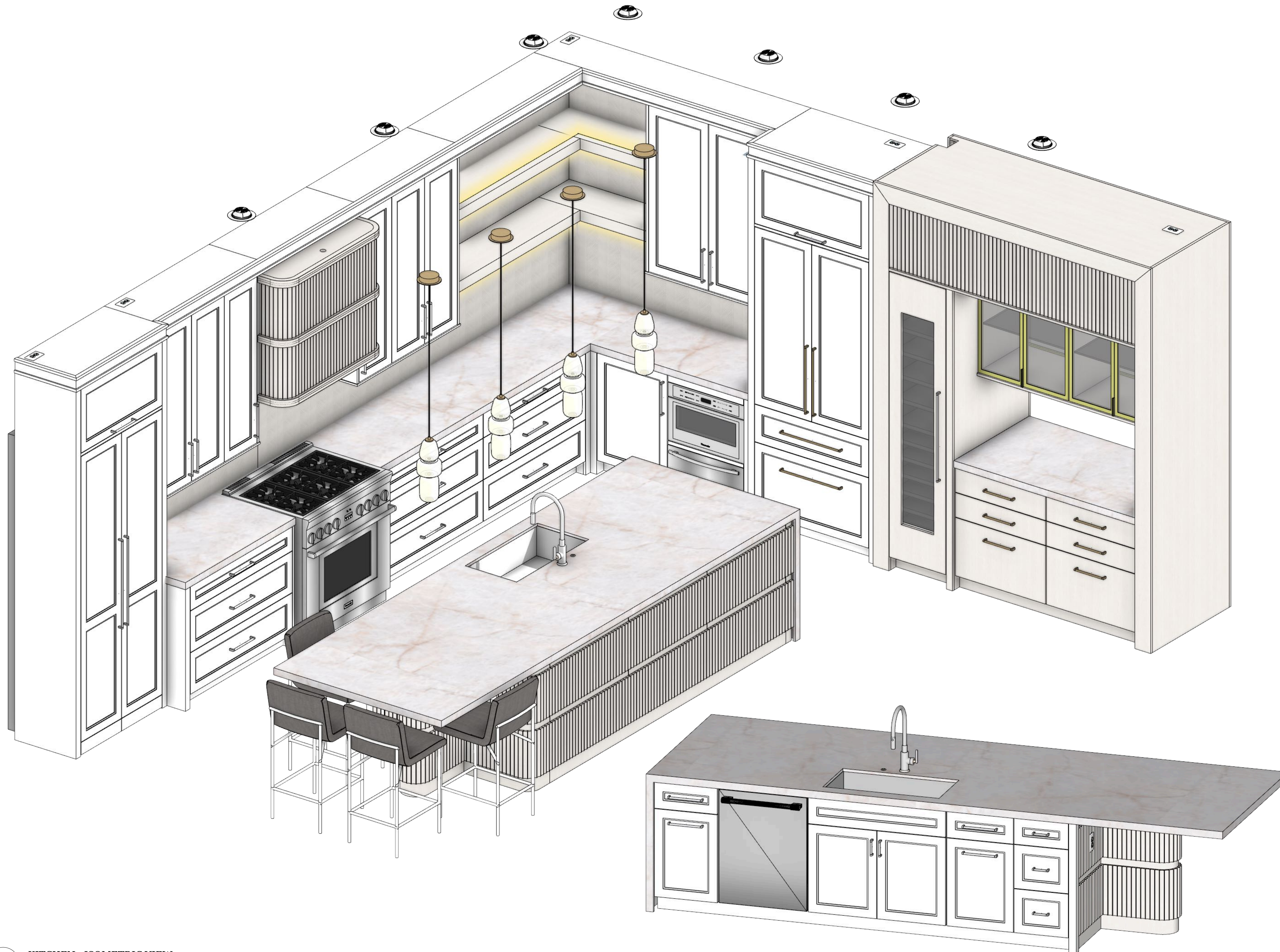
3D MODEL LINK

DATE: 01/15/26

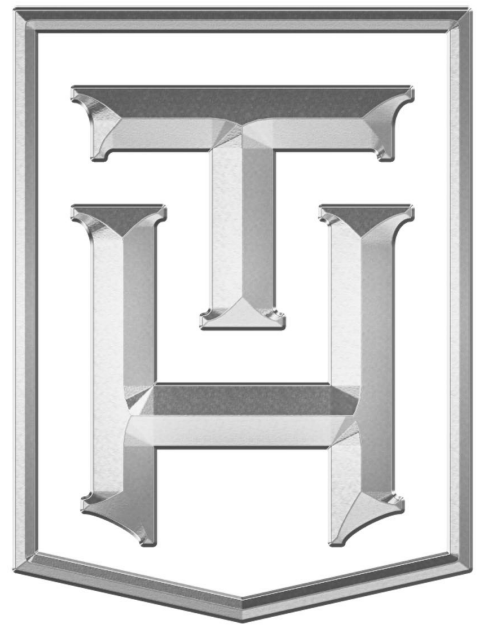
APPROVAL STATUS:
APPROVED

SCHEDULING DISCLAIMER:
All preliminary schedules are created based on approved drawings. Schedules will be automatically adjusted to reflect the final approval date. We will notify everyone of the updated timeline as soon as available. Any delays in the approval of drawings and finishes will potentially delay the project delivery / install date.

Truly Handy LLC makes no representation or warranties, express or implied, with respect to the reuse of the data provided herewith, regardless of its format or the means of its transmission. There is no guarantee or representation to the user as to the accuracy, currency, suitability or reliability of this data for any purpose. The user accepts the data "as is", and assumes all risks associated with its use. By acceptance of this data, the user agrees not to transmit this data or provide access of any part of it to another party unless the user shall include with the data a copy of this disclaimer. Truly Handy LLC assumes no responsibility for actual or consequential damage incurred as a result of any user's reliance on this data. Final engineering subject to change without notice.



KITCHEN - ISOMETRIC VIEW



**TRULY
HANDY**

28280 Old 41 Rd, Unit M7
Bonita Springs, FL, 34135
Tel: 239-221-9151

**QUILTY
RESIDENCE**

CLIENT
Patricia Quilty
8610 Cavano St
Naples, FL, 34119

DESIGNER
Eduardo Beluco
eduardo@trulyhandyllc.com

PROJECT
KITCHEN

NOTES:

3D MODEL LINK

DATE: 01/15/26

APPROVAL STATUS:
APPROVED

SCHEDULING DISCLAIMER:
All preliminary schedules are created based on approved drawings. Schedules will be automatically adjusted to reflect the final approval date. We will notify everyone of the updated timeline as soon as available. Any delays in the approval of drawings and finishes will potentially delay the project delivery / install date.

Truly Handy LLC makes no representation or warranties, express or implied, with respect to the reuse of the data provided herewith, regardless of its format or the means of its transmission. There is no guarantee or representation to the user as to the accuracy, currency, suitability or reliability of this data for any purpose. The user accepts the data "as is", and assumes all risks associated with its use. By acceptance of this data, the user agrees not to transmit this data or provide access or any part of it to another party unless the user shall include with the data a copy of this disclaimer. Truly Handy LLC assumes no responsibility for actual or consequential damage incurred as a result of any user's reliance on this data. Final engineering subject to change without notice.